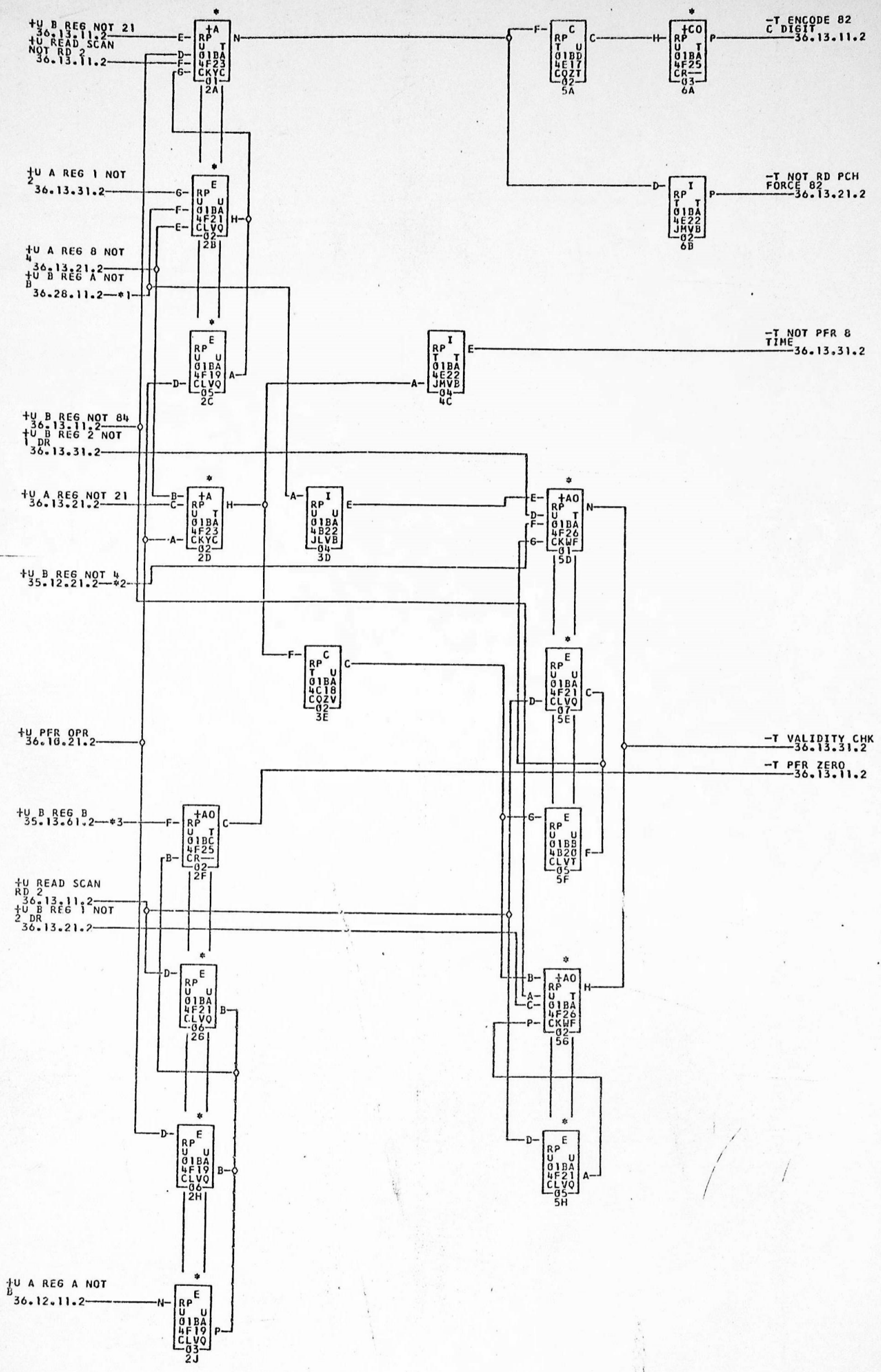


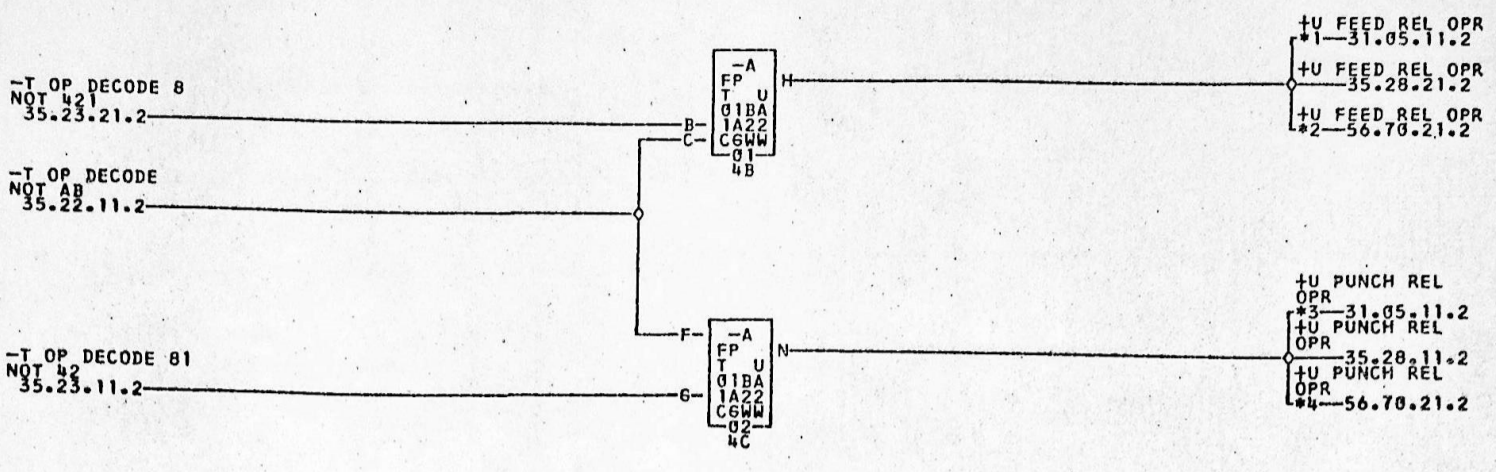
*1-01B7C036

COMMENTS

TAG	DATE	E.C.NO.	TAG	DATE	E.C.NO.	TAG	DATE	E.C.NO.	TAG	DATE	E.C.NO.
A	06-12-61	116320f	B	11-10-61	112913	C	12-06-61	113422			



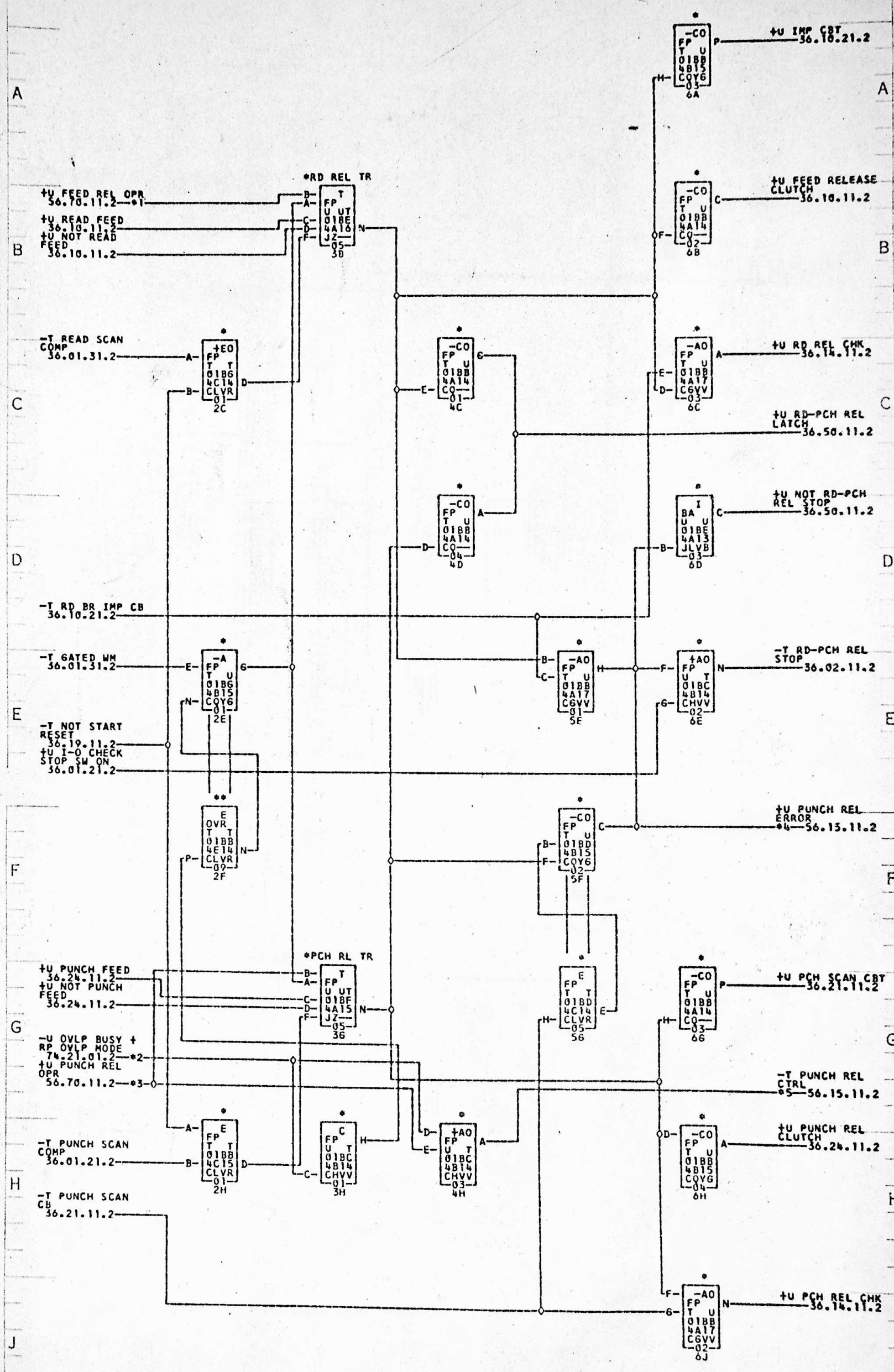
*1-01B4B03K *2-01B4A02H *3-01B4A01P



- *1-01B1D01J
- *2-01B1D02D
- *3-01B1D01R
- *4-01B1D02E

COMMENTS

TAG	DATE	E.C.NO.	TAG	DATE	E.C.NO.	TAG	DATE	E.C.NO.	TAG	DATE	E.C.NO.
A	06-05-61	110320P	B	12-21-62	114052						



*1-01B4D03D *2-01B4D04N *3-01B4D03E -01B1D02E *4-01B4C04A -01B7C01A
 *5-01B4C03N 01B7A01N

COMMENTS
 *THIS CIRCUIT PRESENT WITH
 READ PUNCH RELEASE OPTION ONLY
 **THIS CIRCUIT PRESENT WITH PROCESS
 OVERLAP OPTION ONLY

TAG	DATE	F.C. NO.	TAG	DATE	F.C. NO.	TAG	DATE	F.C. NO.	TAG	DATE	F.C. NO.
A	06-08-61	110320L	B	07-11-61	110324L	C	08-15-61	110325N	D	09-21-61	110326N
E	09-25-61	112229	F	10-05-61	112232	G	12-06-61	113422			

A

A

B

B

C

C

D

D

E

E

F

F

G

G

H

H

J

J

+U RD ADDRESS
SET UP CTRL
36.11.11.2

-T READ SCAN TR
36.11.11.2

-T 51 COLUMN
36.16.11.2

-T TIME 099-000
31.12.21.2

+U LOAD LATCH
31.07.11.2

+U GEN 001
31.07.11.2

-T ADR REG UCD
32.35.51.2

-T ADR REG UN
32.35.31.2

-T ADR REG U1
32.35.11.2

-T NOT IMP CB
TR
36.10.21.2

+U PR PCH DR T6
36.30.41.2

+U AUTO SET
HUND 2
*C-32.37.21.2

+U RD SCAN CTRL
51 COL FEED
*D-32.31.11.2

+U AUTO SET
HUND CD
*E-32.37.51.2

+U AUTO SET
HUND 8
*F-32.37.41.2

+U AUTO SET
TENS
*G-32.36.11.2

+U AUTO SET
UNITS 4
*H-32.35.31.2

+U NOT 51 COL
*J-32.31.21.2

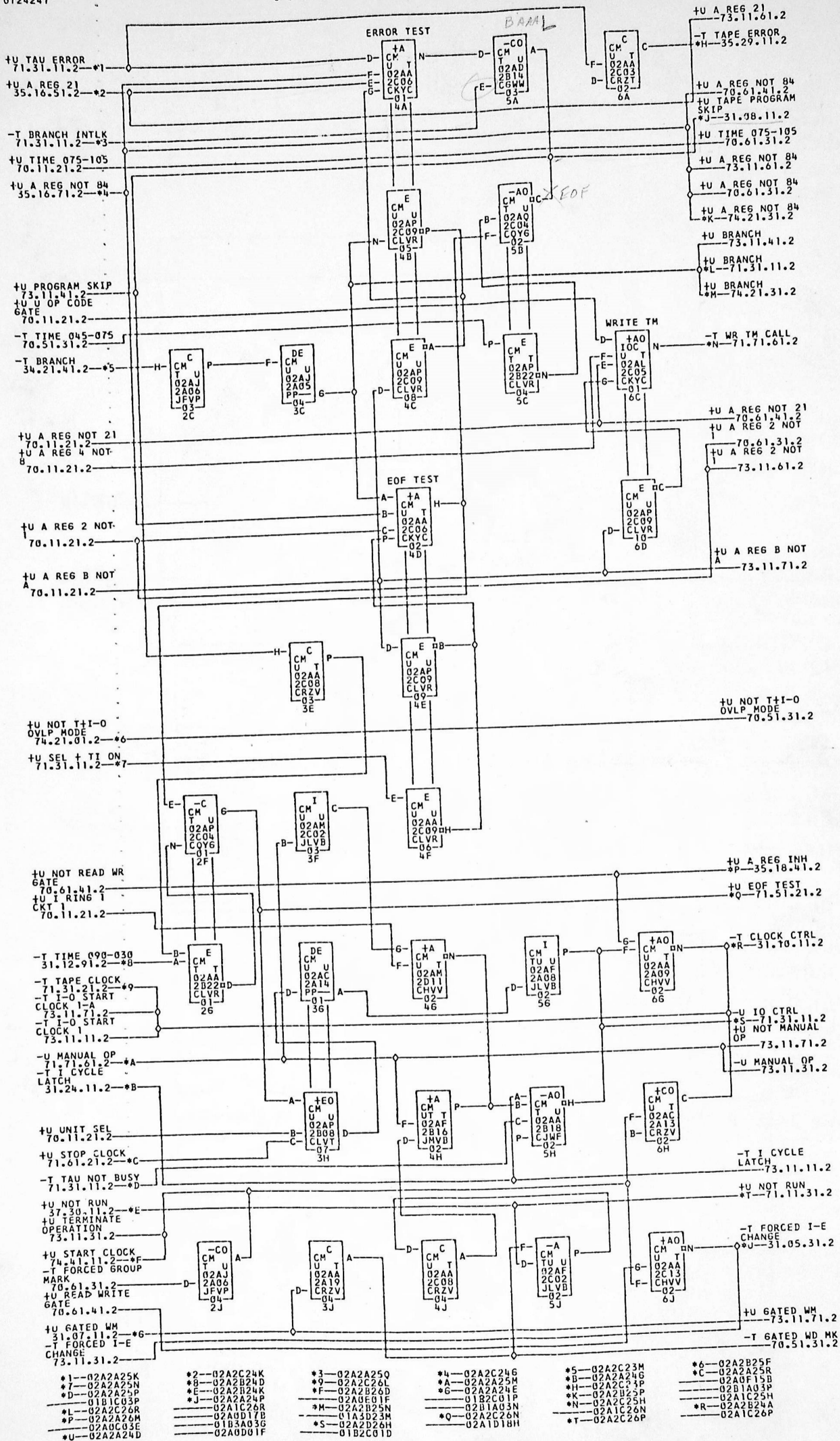
+U AUTO SET
UNITS CD
*K-32.35.51.2

-T LAST ADDRESS
*L-36.16.11.2

- *1-01ABA24A
- *2-01ABE24P
- *3-01ABA24B
- *4-01ABA26N
- *5-01ABE24R
- *6-01ABA24C
- *7-01ABA24G
- *8-01ABA24F
- *9-01ABA24E
- *A-01ABE24N
- *B-01ABA24J
- *C-01ABA24K
- *D-01ABA24L
- *E-01ABA24M
- *F-01ABA24H
- *G-01ABA24N
- *H-01ABA24P
- *I-01ABA24R
- *J-01ABA24S
- *K-01ABA24D
- *L-01ABA26Q
- *M-01A7A23Q
- *N-01A7D25Q
- *O-01A6C26Q
- *P-01A6F26N

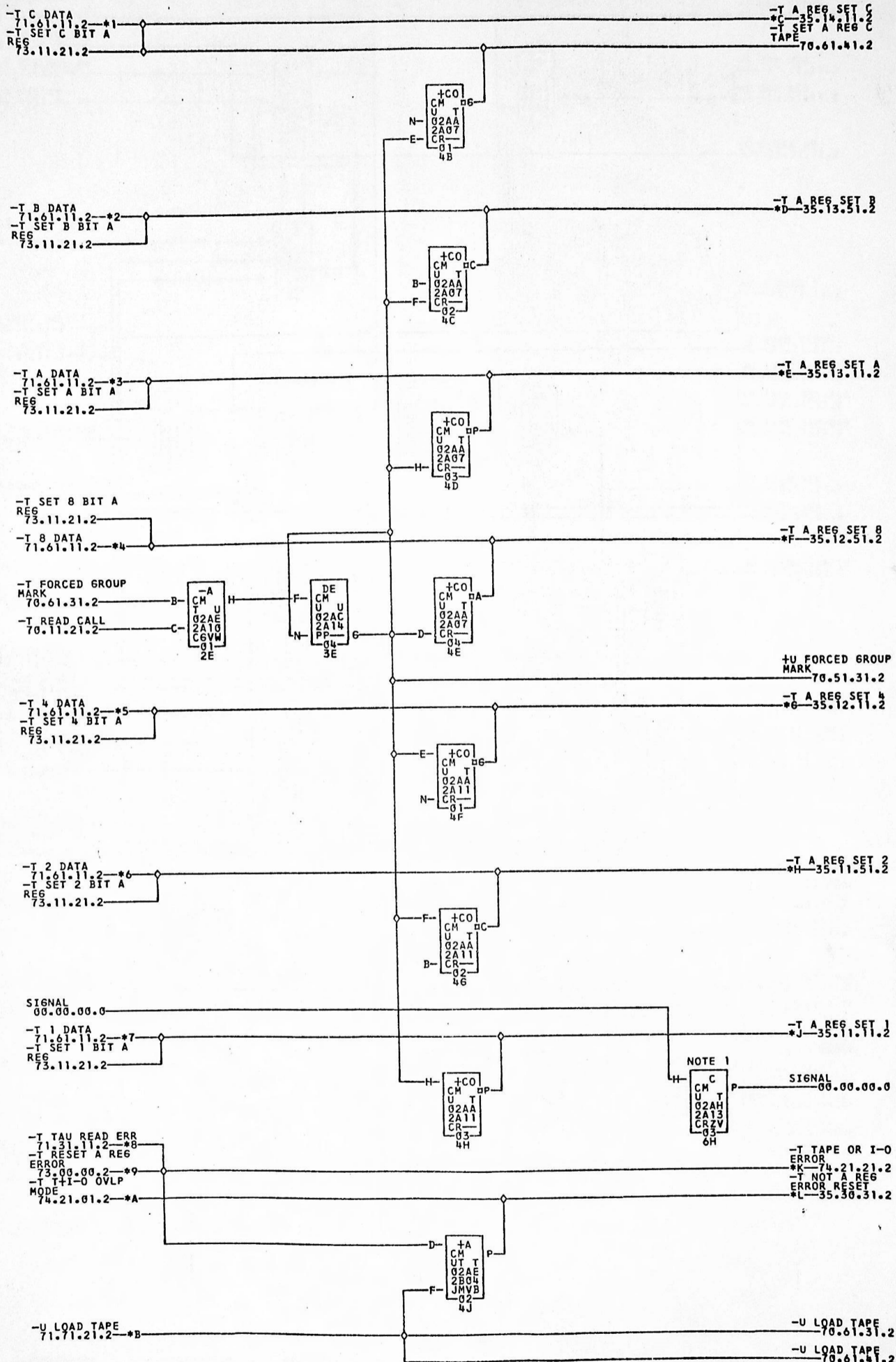
COMMENTS
USE FOR 51 COLUMN FEED ONLY

TAG DATE FIG NO TAG DATE FIG NO TAG DATE FIG NO TAG DATE FIG NO
 A 95-27-61 113296 B 07-27-61 1183240 C 08-16-61 1183268 D 10-12-61 118339-
 E 12-01-61 113422



- *1--02A2A25K
- *2--02A2C24K
- *3--02A2A25Q
- *4--02A2C24G
- *5--02A2C23M
- *6--02A2B25F
- *7--02A2A25N
- *8--02A2B24D
- *9--02A2C26L
- *A--02A2A25M
- *B--02A2A25R
- *C--02A2A25B
- *D--02A2A25P
- *E--02A2B24K
- *F--02A2B26D
- *G--02A2A24E
- *H--02A2C23P
- *I--02A2A25H
- *J--02A2A24P
- *K--02A2B25P
- *L--02A2C26R
- *M--02A2B25N
- *N--02A2C25H
- *O--02A2C26N
- *P--02A1C26N
- *Q--02A1C26P
- *R--02A2B24A
- *S--02A2D26H
- *T--02A2C26P
- *U--02A2A24D
- *V--02A0D01F
- *W--01B2C01D
- *X--02A1D18H

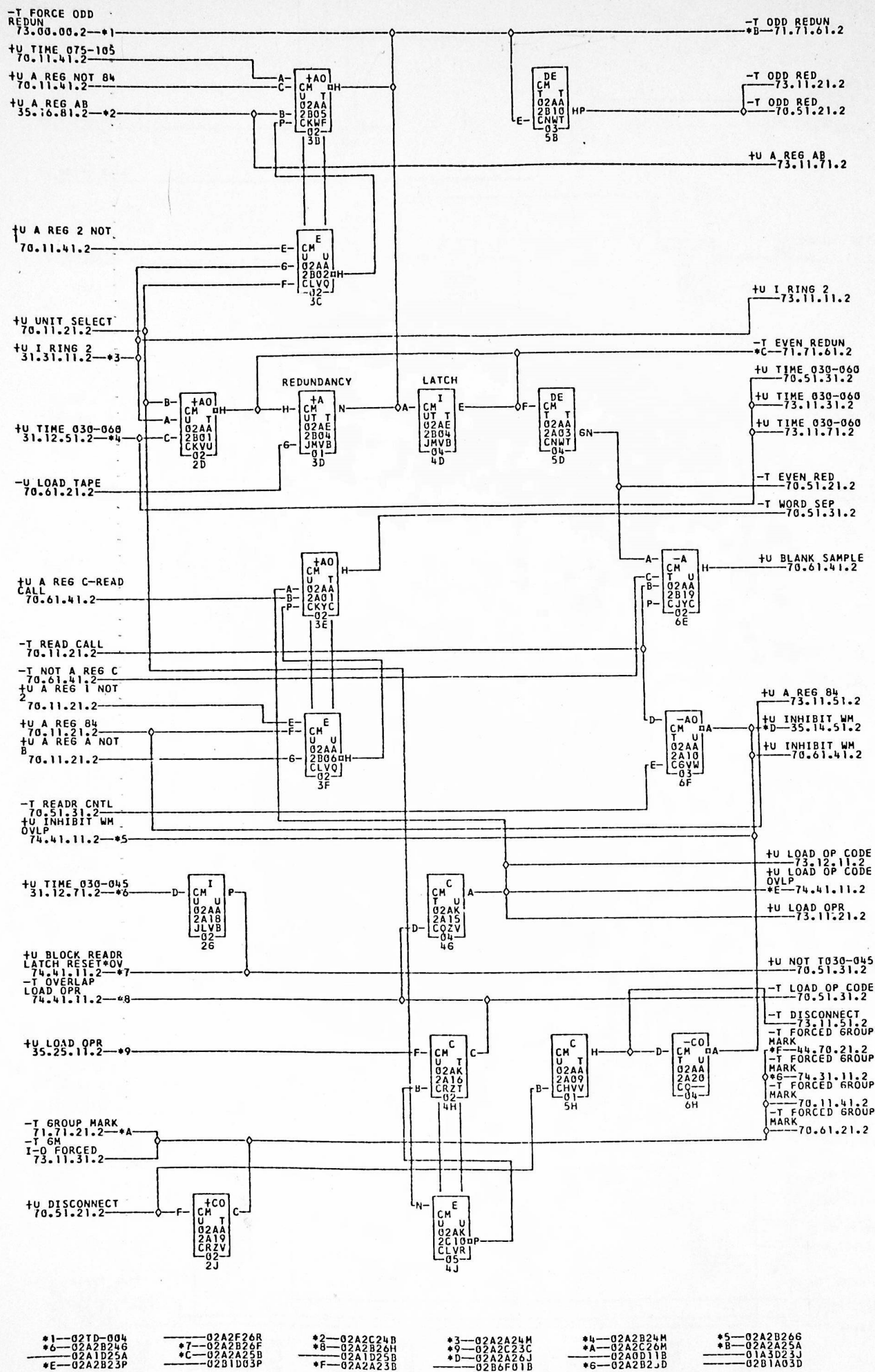
COMMENTS	TAG	DATE	E.C.NO.	TAG	DATE	E.C.NO.	TAG	DATE	E.C.NO.	TAG	DATE	E.C.NO.
	A	06-12-61	110320V	B	07-10-61	110324K	C	08-11-61	110324N	D	09-11-61	110324U
	E	11-09-61	112751	F	12-06-61	113422	G	12-19-61	113235	H	04-04-62	115278
	J	04-13-62	112289	K	05-16-62	115302	L	07-17-62	116225	M	08-21-62	116239
	N	11-08-62	116553	P	12-10-62	116749B	Q	09-16-63	118575D			



- *1—02A2C25K *2—02A2C25L *3—02A2C25M *4—02A2C25N *5—02A2C25P *6—02A2C25Q
- *7—02A2C25R *8—02A2A25L *9—02TD-008 *D—02A2F26P *A—02A2B25H *B—02A2C250
- *C—02A2A266 *A0D07C *1A3F233B *E—02A2A26E *G—02A2B25C *1A3F233C
- *E—02A2A26E *A0D03C *1A3F233B *F—02A2A26D *H—02A2A26B *1A3F233D
- *6—02A2A26C *A0C19C *1A3F233A *H—02A2A26B *I—02A2B25L *1A3F233E
- *J—02A2A26A *A0C15C *1A3F233A *K—02A2B25L *L—02A2A24F
- *02A0D65F *1B2C01F *1B2E05Q *1B0E010

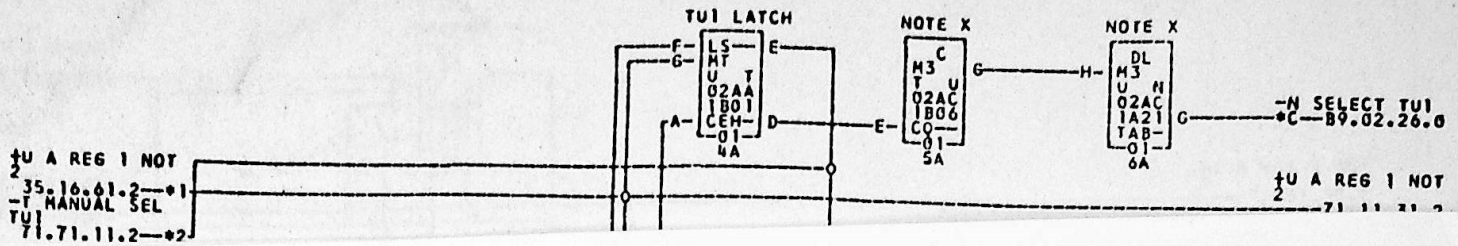
NOTE1—THIS CKT USED FOR TIEDOWN WITH TAPES MISSING, AND I-O ON THE MACHINE.

TAG	DATE	E.C.NO.	TAG	DATE	E.C.NO.	TAG	DATE	E.C.NO.	TAG	DATE	E.C.NO.
A	06-12-61	113229V	B	07-19-61	11324K	C	08-11-61	110324N	H	12-10-62	116749B
E	12-06-61	113222	F	05-19-62	115264	G	07-17-62	116225			



COMMENTS

TAG	DATE	E.C.NO.	TAG	DATE	E.C.NO.	TAG	DATE	E.C.NO.	TAG	DATE	E.C.NO.
A	06-12-61	110320V	B	07-10-61	110324K	C	08-11-61	110324N	D	11-09-61	112251
E	12-06-61	113422	F	04-04-62	115278	G	05-11-62	115294	H	07-17-62	116225
J	08-07-62	116230	K	12-10-62	116749B	L	09-16-63	118575B			



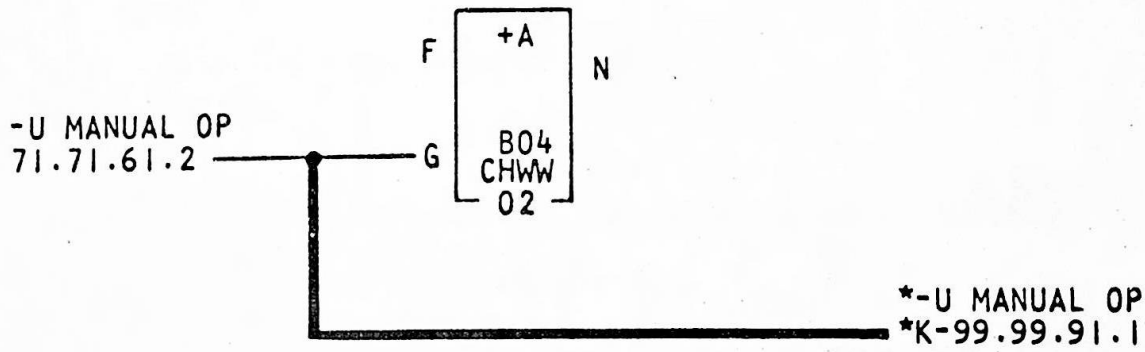
IBM INSTALLATION INSTRUCTIONS

NO. 486447

NAME

SHEET 9 OF

8.6 ALTER LOGIC 71.11.11.2, GATE 02A1, AS FOLLOWS:



SIGNALS PRECEDED BY ASTERISK INDICATE DIRECT CABLE EXPANSION

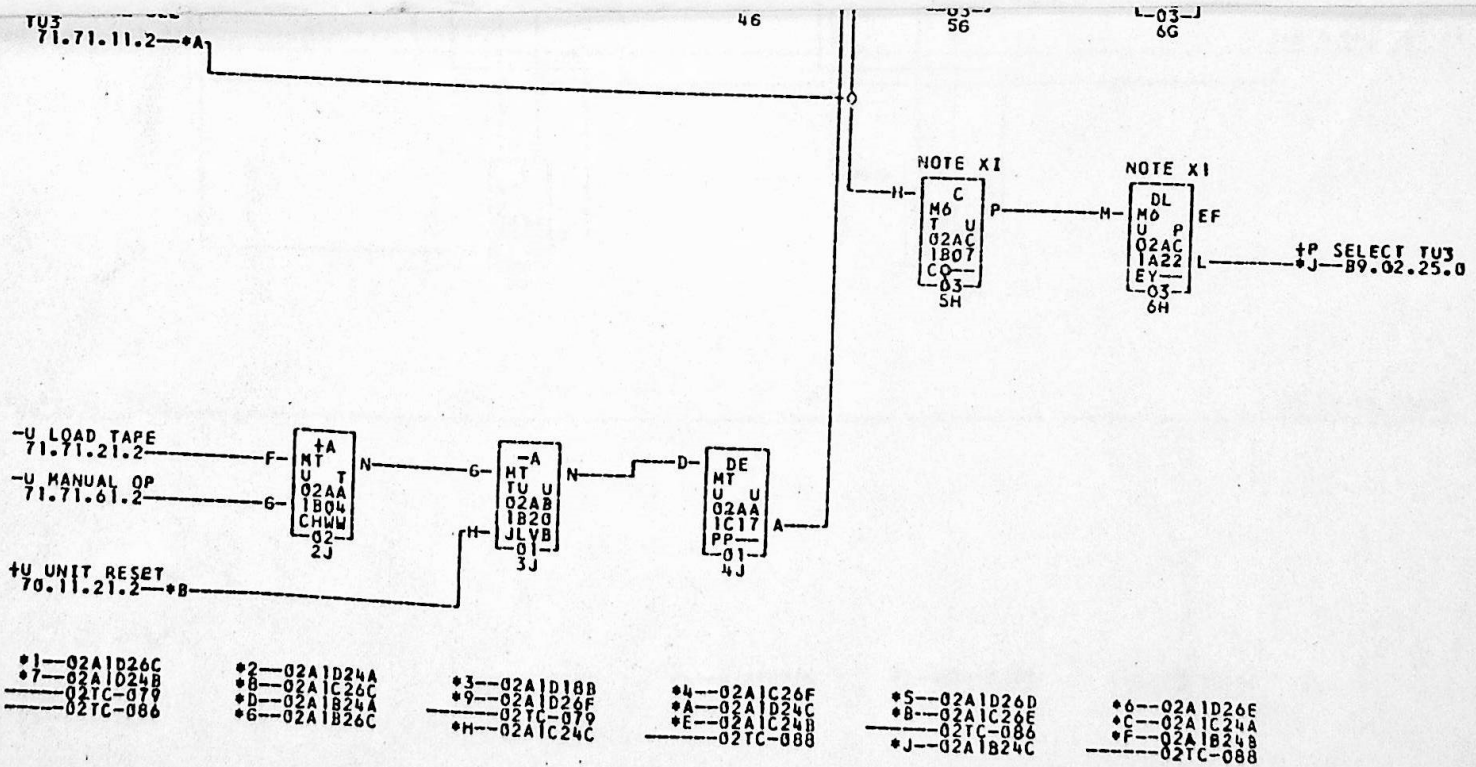
*-02A1B04G--01B6D04B

ADDED

EXISTING

ENG. CHANGE	DATE	118320	118320F	118320G	DATE TYPED
	7-16-63				
	9-26-63				
	10-8-63				

FORM 424-7104-8



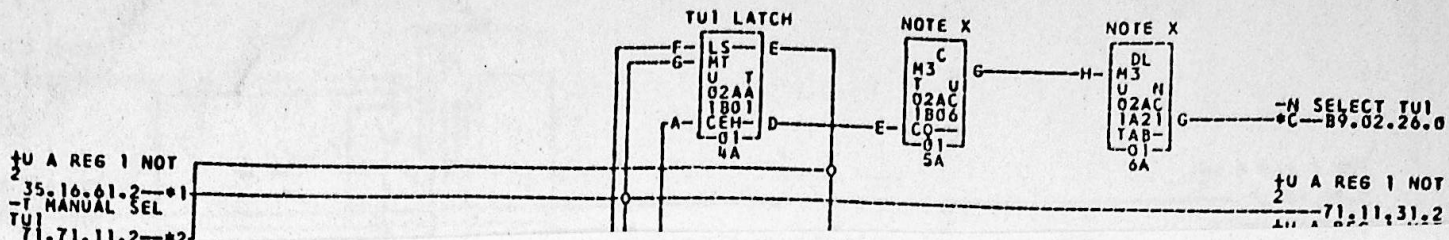
NOTE X PLUGGED FOR 7330S ONLY

NOTE XI PLUGGED FOR 729S ONLY

COMMENTS

TAG DATE F.C.NO. TAG DATE F.C.NO. TAG DATE F.C.NO. TAG DATE E.C.NO.

A 06-12-61 1103202 B 12-06-61 113422 C 03-12-62 114813

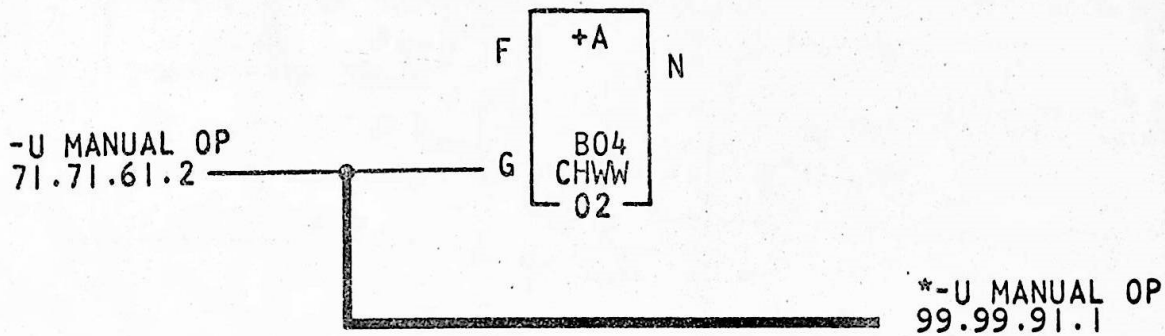


IBM INSTALLATION INSTRUCTIONS

NO. 486447

NAME	SHEET 8 OF
------	------------

8.5 ALTER LOGIC 71.11.11.2, GATE 02A1, AS FOLLOWS:

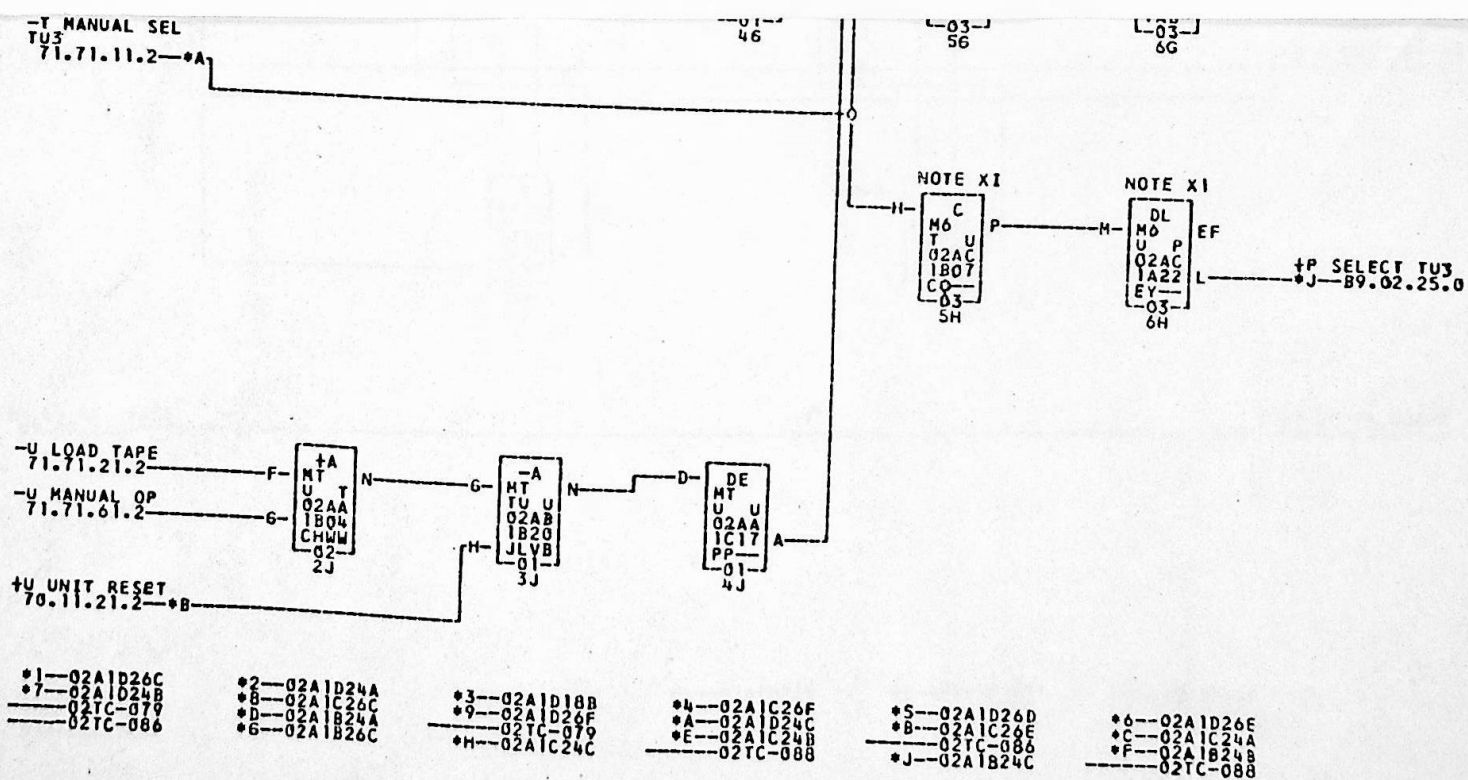


SIGNALS PRECEDED BY AN ASTERISK INDICATES DIRECT CABLE EXPANSION

ADDED
 EXISTING

REFERENCE	Ch. Cal.	DATE	DATE TYPED
Eng. Change		7-16-63 118320	
		9-26-63 118320F	
		10-8-63 118320G	

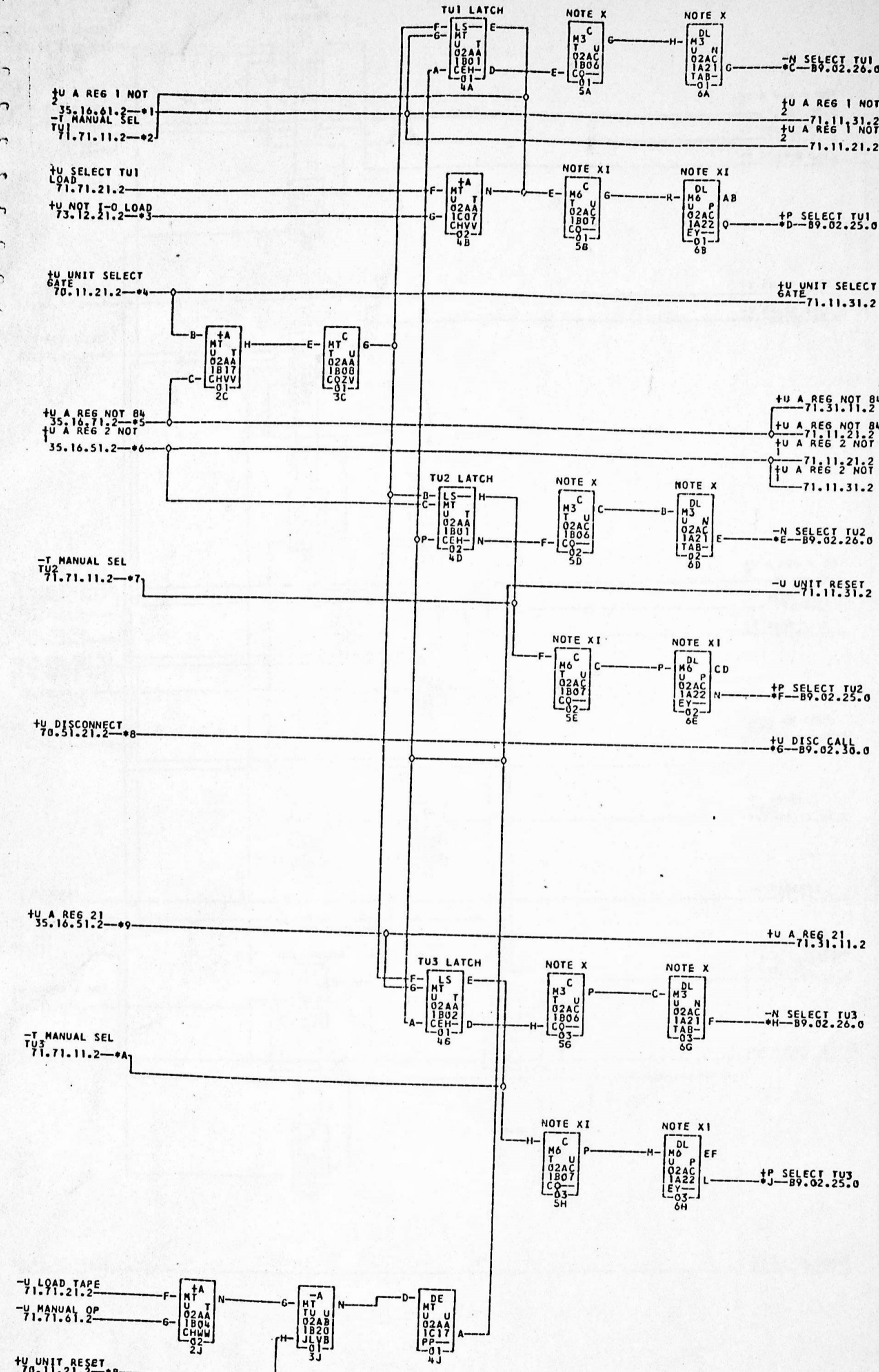
FORM 424-7106-0



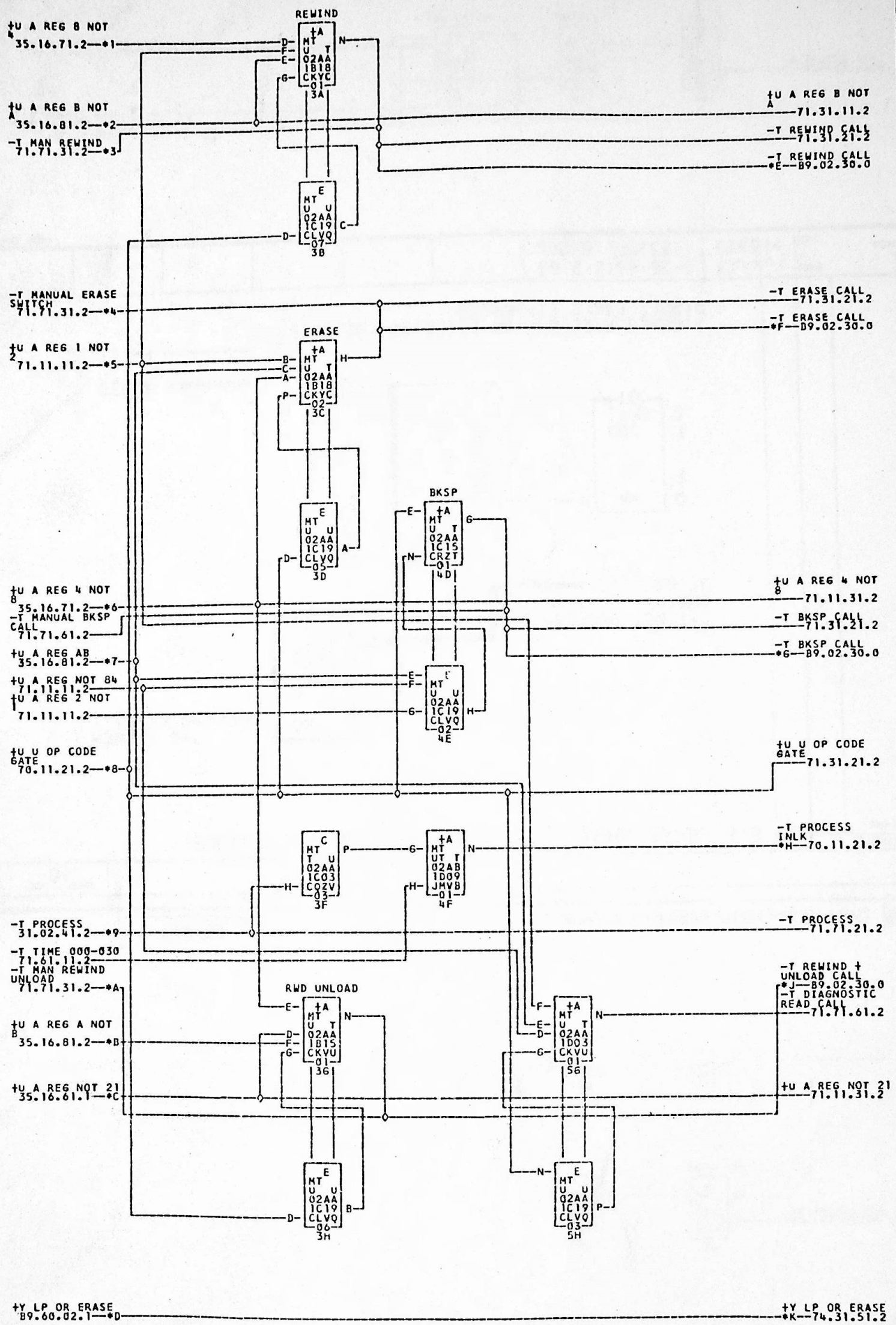
- *1--02A1D26C
- *2--02A1D24A
- *3--02A1D18B
- *4--02A1C26F
- *5--02A1D26D
- *6--02A1D26E
- *7--02A1D24B
- *8--02A1C26C
- *9--02A1D26F
- *A--02A1D24C
- *B--02A1C26E
- *C--02A1C24A
- *D--02A1B24A
- *E--02A1C24B
- *F--02A1B24B
- *G--02A1B26C
- *H--02A1C24C
- *I--02TC-079
- *J--02A1B24C
- *K--02TC-088
- *L--02TC-088

NOTE X PLUGGED FOR 73303 ONLY
 NOTE XI PLUGGED FOR 7295 ONLY

TAG	DATE	E.C. NO.	TAG	DATE	E.C. NO.	TAG	DATE	E.C. NO.
A	06-12-61	1183202	B	12-06-61	118422	C	03-12-62	114613



- *1--02A1D26C
- *2--02A1D24A
- *3--02A1D18B
- *4--02A1C26F
- *5--02A1D26D
- *6--02A1D26E
- *7--02A1D24B
- *8--02A1C26C
- *9--02A1D26F
- *A--02A1D24C
- *B--02A1C26E
- *C--02A1C24A
- *D--02A1B24A
- *E--02A1C24B
- *F--02A1B24B
- *G--02A1B26C
- *H--02A1C24C
- *I--02TC-079
- *J--02A1B24C
- *K--02TC-086
- *L--02A1B24B
- *M--02TC-088



- *1—02A1D26L *2—02A1D26N *3—02A1D23A *4—02A1D226 *5—02A1D26C *6—02A1D26M
- *7—02A1D26P *8—02A1C26D *9—02A1D20D *A—02A1D23L *B—02A1D26G *C—02A1D26G
- *D—02A1B25N *E—02A1B25B *F—02A1B26F *G—02A1B25A *H—02A1C26G *I—02A2C26G
- *J—02A1B25C *K—02A1D17R *L—02B1E03R

COMMENTS

TAG DATE E.C.NO. TAG DATE E.C.NO. TAG DATE E.C.NO.
 A 06-12-61 113422 B 12-06-61 113422 C 03-12-62 114613

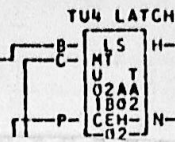
0724297

OPERATIONAL DECODE

1401 MT

71.11.31.2

+U A REG NOT 21
71.11.21.2



-N SELECT TU4
*5-B9.02.26.0

IBM INSTALLATION INSTRUCTIONS

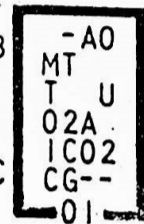
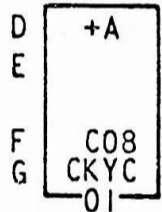
NO. 486447

NAME

SHEET 10 OF

8.7 ALTER LOGIC 71.31.11.2, GATE 02A1, AS FOLLOWS:

*-T NOT PROCESS
CHK
31.02.11.2



*+U BRANCH L
99.99.91.1

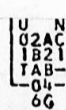
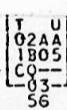
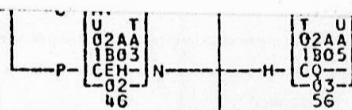
— ADDED
— EXISTING

SIGNALS PRECEDED BY ASTERISK INDICATE
DIRECT CABLE EXPANSION

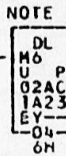
ENG. CHANGE	DATE	NO.	118320	118320F	118320G	DATE	TYPE
	9-16-63						
	9-26-63						
	10-8-63						

FORM 624-7108-0

71.11.11.2

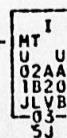


-N SELECT TU6
*9-B9.02.26.0



+P SELECT TU6
*A-B9.02.25.0

+U NOT RUN
70.11.41.2-04



+U RUN
71.31.11.2

*1-02A1B24D
*6-02A1B24D
*9-02A1C24F

*2-02A1D24E
02TC-097
02TC-106

*3-02A1D24F
*7-02A1C24E
*A-02A1B24F

*4-02A1C26P
02TC-099
02TC-106

*5-02A1C24D
*8-02A1B24E

02TC-097
02TC-099

NOTE X-PLUGGED FOR 7330S ONLY
NOTE XI-PLUGGED FOR 729S ONLY

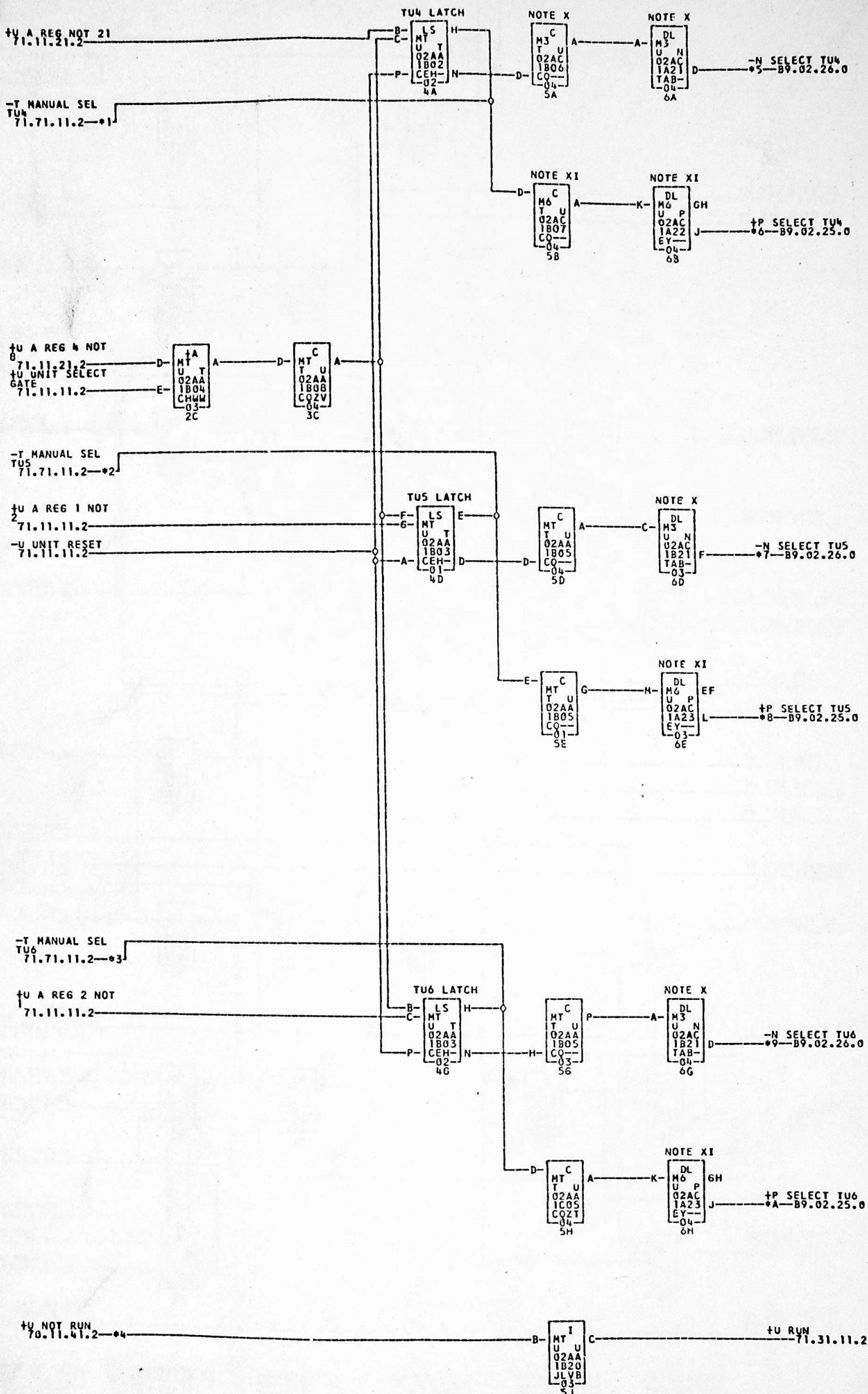
TAG DATE E.C.NO. TAG DATE E.C.NO. TAG DATE E.C.NO. TAG DATE E.C.NO.

A 06-12-61 118320Z

B 09-18-61 118324V

C 03-12-62 116613

TAG DATE E.C.NO.



- *1-02A1D24D
- *2-02A1D24E
- *3-02A1D24F
- *4-02A1C24P
- *5-02A1C24D
- 02TC-097
- *6-02A1B24D
- 02TC-097
- *7-02A1C24E
- *8-02A1B24E
- 02TC-099
- *9-02A1C24F
- *A-02A1B24F
- 02TC-106

NOTE X
00.00.00.0-+1

+U WD 52
B9.02.35.0-+2

+U WD 89
B9.02.35.0-+3

+U WD 320
OR WD-1088
B9.02.35.0-+4

+U CONTINUOUS
RESTART
71.71.01.2-+5

-12 VOLTS A
NOTE XI
71.71.51.2-+6

-T TAPE DISC
74.21.11.2-+7

+U WRITE COND
B9.02.35.0-+8

-T MANUAL DISC
SWITCH
71.71.31.2-+9

+U SEL + TI ON
B9.02.35.0-+10

+U NOT I-O
SELECT
73.11.11.2-+11

+U READ CALL
71.61.11.2-+12

-U ERROR
B9.02.35.0-+13

+U MANUAL OP
71.71.21.2-+14

+U BUSY
B9.02.35.0-+15

-T TIME 045-060
31.12.31.2-+16

-T TIME 060-075
31.12.31.2-+17

+U FWD STOP
DELAY
B9.02.35.0-+18

-U IO CTRL
70.11.41.2-+19

-T NOT PROCESS
CHK STOP
31.02.11.2-+20

+U A REG NOT B4
71.11.11.2-+21

+U A REG 21
71.11.11.2-+22

-U TU READY
B9.02.35.0-+23

+U BRANCH
70.11.41.2-+24

+U RUN
71.11.31.2-+25

-U MANUAL OP
71.71.01.2-+26

+U I-I-O OVER-
EXTENSION
74.21.11.2-+27

+U MAN WR DISC
B9.02.30.0-+28

+U MAN WR DISC
B9.02.30.0-+29

+U SEL + TI ON
71.71.01.2-+30

+U SEL + TI ON
70.11.41.2-+31

-T TAU READ ERR
70.61.21.2-+32

+U TAU ERROR
70.11.41.2-+33

-T TAU NOT BUSY
70.11.41.2-+34

-T TAU NOT BUSY
74.21.31.2-+35

-T TAU BUSY
71.31.21.2-+36

-T TAU BUSY
71.71.41.2-+37

+U TAU BUSY
71.31.21.2-+38

+U TAU BUSY
71.71.61.2-+39

+U TAU BUSY
71.71.41.2-+40

-T TIME 060-075
71.71.21.2-+41

+U DELTA P ON
71.71.21.2-+42

-T TAPE STOP ID
73.12.21.2-+43

-T NOT PROC. EX.
NOT -PROC. EX.
-T BRANCH INTLK
70.11.41.2-+44

+U TURN OFF
DELTA PROC
31.02.31.2-+45

+U SET TAPE
ERROR
B9.02.30.0-+46

+U BR L

002

NOT -PROC. EX.

NOT -PROC. EX.

NOT -PROC. EX.

NOT -PROC. EX.

NOT -PROC. EX.

NOT -PROC. EX.

NOT -PROC. EX.

NOT -PROC. EX.

NOT -PROC. EX.

NOT -PROC. EX.

NOT -PROC. EX.

NOT -PROC. EX.

NOT -PROC. EX.

NOT -PROC. EX.

NOT -PROC. EX.

NOT -PROC. EX.

NOT -PROC. EX.

NOT -PROC. EX.

NOT -PROC. EX.

NOT -PROC. EX.

NOT -PROC. EX.

NOT -PROC. EX.

NOT -PROC. EX.

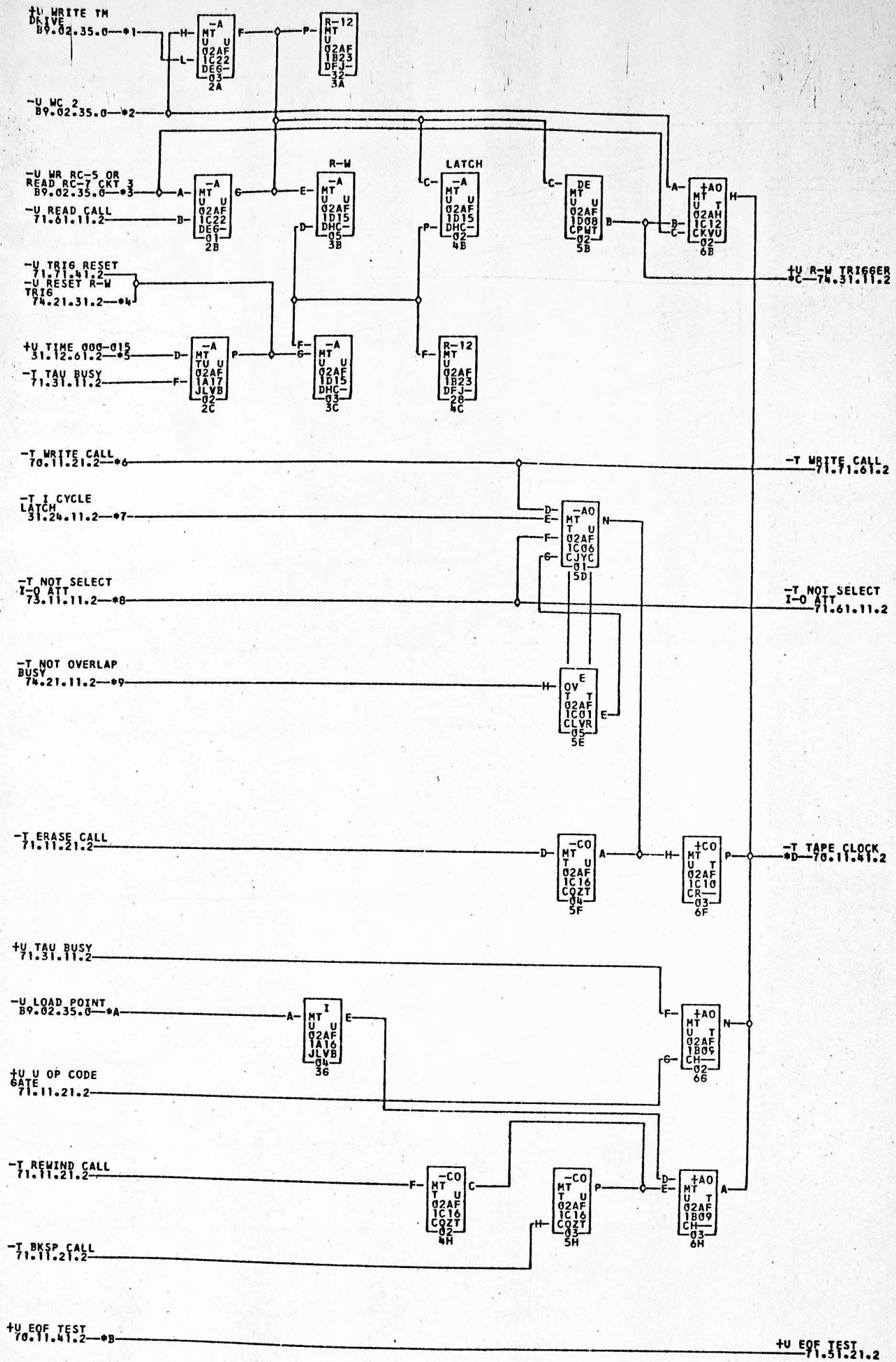
NOT -PROC. EX.

NOT -PROC. EX.

- *1-02A1A26J
- *2-02A1A26B
- *3-02A1A26C
- *4-02A1A26D
- *5-02A1A26A
- *6-02A1D17N
- *7-02A1B26K
- *8-02A1D22H
- *9-02A1B250
- *A-02A1D18C
- *B-02A1B25H
- *C-02A1B25D
- *D-02A1D26H
- *E-02A1D20P
- *F-02A1B250
- *G-02A1D18H
- *H-02A1D20G
- *I-02A1D17P
- *J-02A1B25P
- *K-02A1C25N
- *L-02A1D25L
- *M-02A1B26D
- *N-02A1A26L
- *O-02A1D25L
- *P-02A1D17D
- *Q-02A1D25L
- *R-02A1D25L
- *S-02A1D25P
- *T-02A1D17D
- *U-02A1D18G
- *V-02A1D250
- *W-02A1D20B
- *X-02A1A25H
- *Y-02B4B01H
- *Z-02B4C02L

NOTE X-THIS TAP WRITES A
ONE CHARACTER RECORD
NOTE XI-THIS TAP WRITES CONTINUOUS

TAG	DATE	F.C.NO.	TAG	DATE	F.C.NO.	TAG	DATE	F.C.NO.	TAG	DATE	F.C.NO.
A	06-12-61	10320Z	B	08-10-61	10324N	C	09-11-61	110324U	D	10-11-61	112235
E	12-06-61	11342Z	F	11-05-62	116726						



- *1-02A1B25F *2-02A1A26P *3-02A1A26E *4-02A1D176 *5-02A1D26A *6-02A1C26B
- *7-02A1D26B *8-02A1D19A *9-02A1D17L *A-02A1B25E *B-02A1C26N *C-02A1D17K

COMMENTS

TAG	DATE	E.C.NO.	TAG	DATE	E.C.NO.	TAG	DATE	E.C.NO.	TAG	DATE	E.C.NO.
A	09-12-61	1103202	B	08-19-61	110324N	C	11-18-61	112016	D	12-09-61	113422
E	01-23-62	113835	F	04-13-62	115280	G	05-02-62	115298	H	11-05-62	116728

0724300

WRITE GATING INPUT TO TAU

1401 MT

71.51.21.2

+U DATA C
70.51.21.2-01

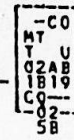
-T MANUAL C BIT
71.71.31.2-02



+U C BIT WRITE
DATA LINE
*G--B9.02.30.1

+U DATA A
70.51.21.2-03

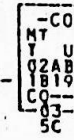
-T MANUAL A BIT
71.71.31.2-04



+U A BIT WRITE
DATA LINE
*H--B9.02.30.0

+U DATA B
70.51.21.2-05

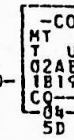
-T MANUAL B BIT
71.71.31.2-06



+U B BIT WRITE
DATA LINE
*J--B9.02.30.0

+U DATA 8
70.51.21.2-07

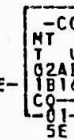
-T MANUAL 8 BIT
71.71.31.2-08



+U 8 BIT WRITE
DATA LINE
*K--B9.02.30.0

+U DATA 4
70.51.21.2-09

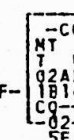
-T MANUAL 4 BIT
71.71.31.2-0A



+U 4 BIT WRITE
DATA LINE
*L--B9.02.30.0

+U DATA 2
70.51.21.2-0B

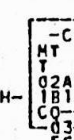
-T MANUAL 2 BIT
71.71.31.2-0C



+U 2 BIT WRITE
DATA LINE
*N--B9.02.30.0

+U DATA 1
70.51.21.2-0D

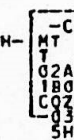
-T MANUAL 1 BIT
71.71.31.2-0E



+U 1 BIT WRITE
DATA LINE
*N--B9.02.30.0

-T TURN OFF TI
71.71.21.2

+U EOP TEST
70.11.41.2-0F



+U TURN OFF TI
*P--B9.02.30.0

*1--02A1D25J
*7--02A1D22N
*D--02A1D25C
*K--02A1A24D

*2--02A1D23D
*8--02A1D23E
*E--02A1D23G
*L--02A1A23C

*3--02A1D256
*9--02A1D25E
*F--02A1C26N
*M--02A1A24B

*4--02A1D23F
*A--02A1D23H
*G--02A1A246
*N--02A1A24A

*5--02A1D25H
*B--02A1D25D
*H--02A1A24E
*P--02A1B25K

*6--02A1D23E
*C--02A1D23U
*J--02A1A24F

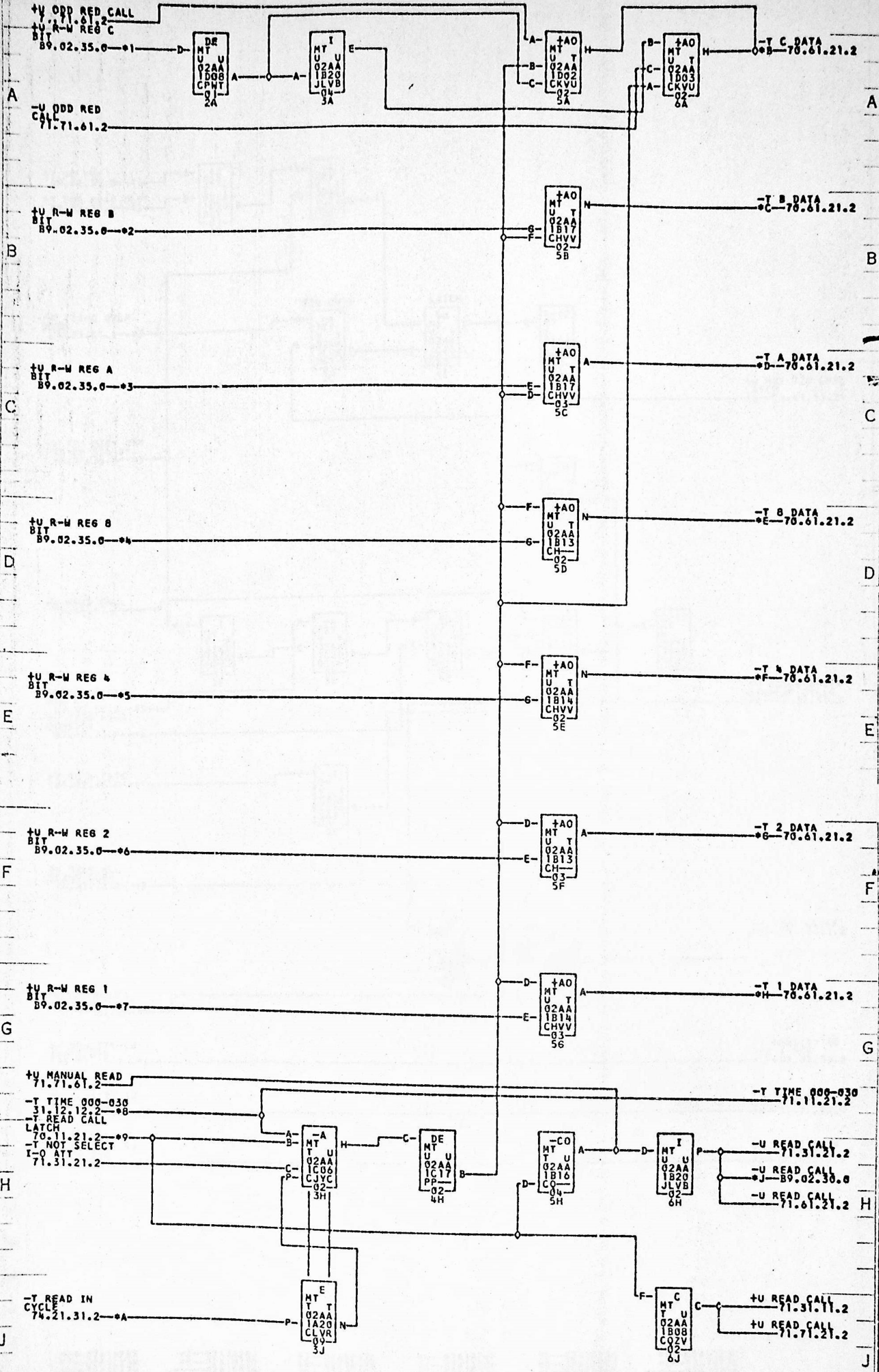
COMMENTS

AG DATE FIG NO | AG DATE FIG NO | AG DATE FIG NO | AG DATE E.C. NO.
A 06-12-61 F183202 | B 12-06-61 F19422 | C 04-13-62 F19200

0724301

READ GATING

1401 MT 71.61.11.2

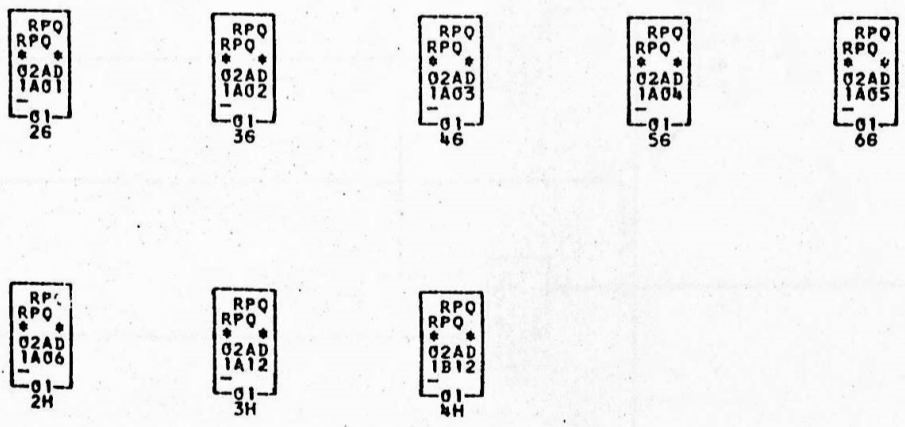
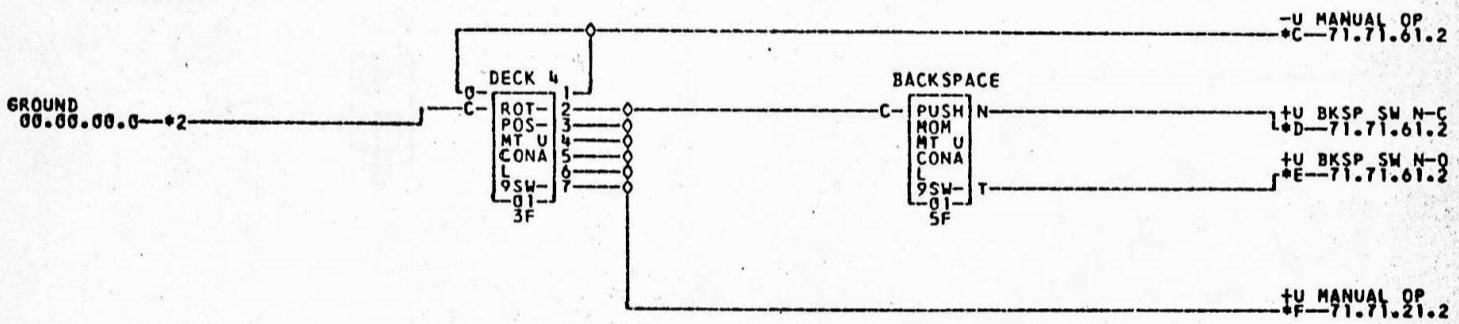
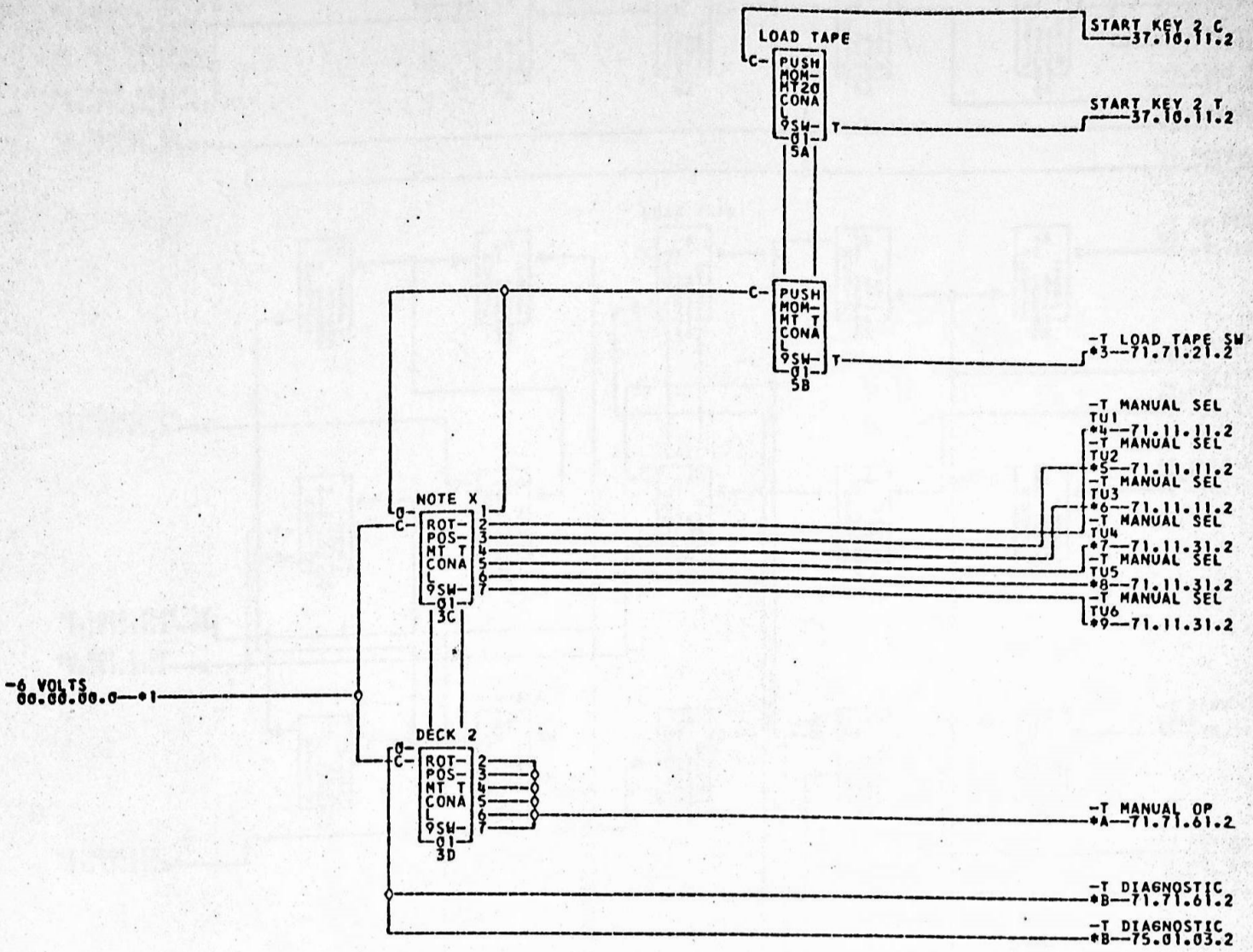


- *1-02A1A256 *2-02A1A25F *3-02A1A25E *4-02A1A25D *5-02A1A25C *6-02A1A25B
- *7-02A1A25A *8-02A1D26R *9-02A1C25E *A-02A1D17F *B-02A1C25K *C-02A1C25N
- *C-02A1C25A *D-02A2C25L *D-02A1C25E *A-02A2C25M *E-02A1C25N *D-02A1C25N
- *F-02A1C25B *G-02A1C25H *G-02A1C25Q *A-02A2C25Q *E-02A1C25N *D-02A1C25N
- *J-02A1B268 *H-02A1C25R *F-02A2C25R

COMMENTS

TAG DATE E.C.NO. TAG DATE E.C.NO. TAG DATE E.C.NO. TAG DATE E.C.NO.

A 06-12-61 1103202 B 12-06-61 113422



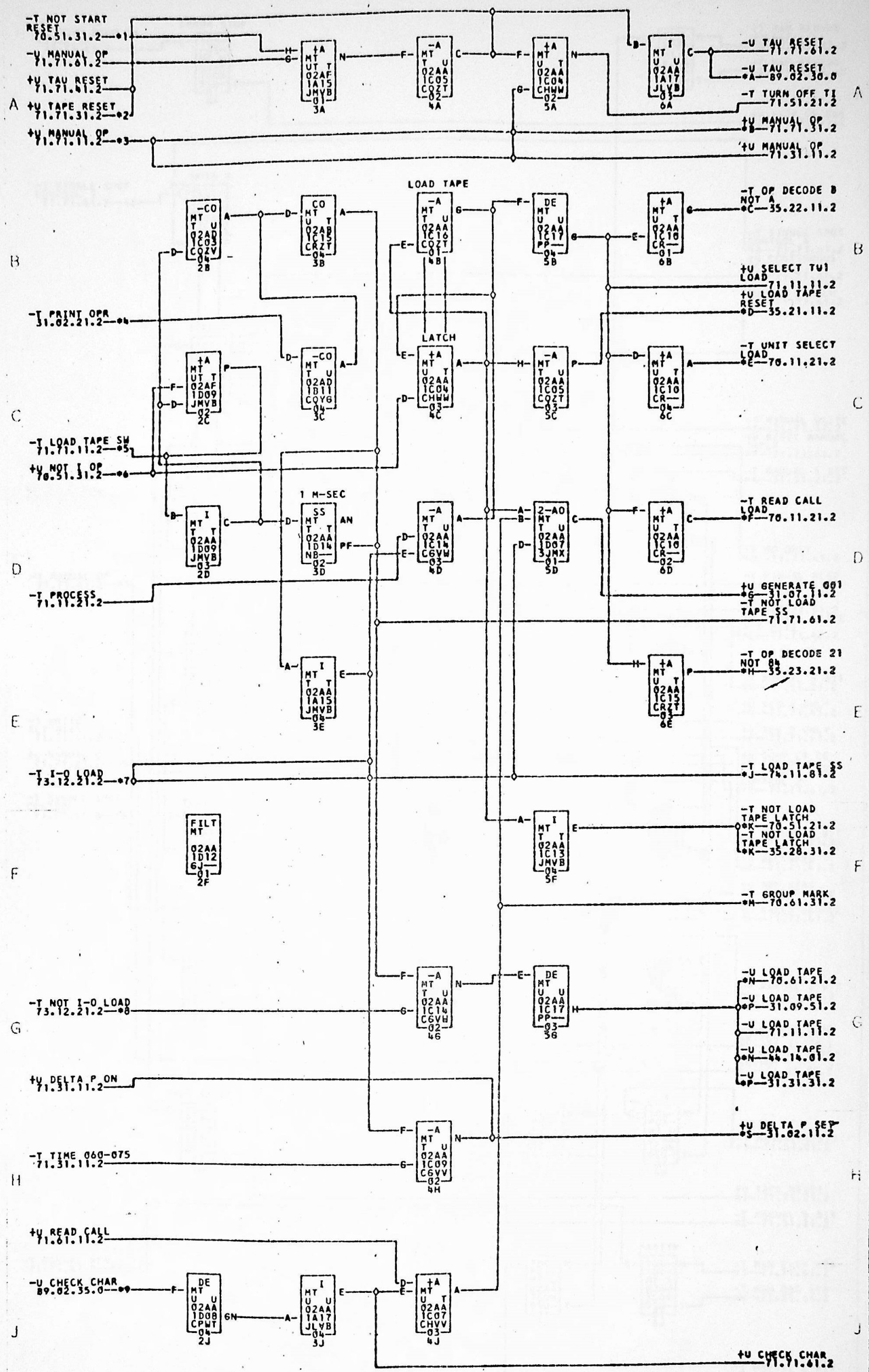
- *1-CON-A24E
- *2-CON-A24H
- *3-CON-A16G
- *4-CON-A16A
- *5-CON-A16B
- *6-CON-A16C
- *7-CON-A16D
- *8-CON-A16E
- *9-CON-A16F
- *A-CON-A16H
- *B-CON-A16I
- *C-CON-A16J
- *D-CON-A16K
- *E-CON-A16L
- *F-CON-A16M
- 02ADD07A
- 02ADD08A
- 02ADD09A
- 02ADD10A
- 02ADD11A
- 02ADD12A
- 02ADD13A
- 02ADD14A
- 02ADD15A
- 02ADD16A
- 02ADD17A

0724304

MANUAL OPERATION RESET AND LOAD TAPE

1401 MT

71.71.21.2



- *1-02A1C26H
- *2-02A1D22R
- *3-02A1D24M
- *4-02A1D20E
- *5-02A1D226
- *6-02A1C26K
- *7-02A1D18D
- *8-02A1D18E
- *9-02A1B256
- *A-02A1A26F
- *B-02A1D22A
- *C-02A1C26J
- *D-02A1C26D
- *E-02A1C26C
- *F-02A1C26B
- *G-02A1D20L
- *H-02A1C26F
- *I-02A1C26E
- *J-02A1D17H
- *K-02A1C26A
- *L-02A1C26G
- *M-02A1C26N
- *N-02A1C26O
- *O-02A1D20N
- *P-02A1D20A
- *Q-02A1C26I
- *R-02A1C26L
- *S-02A1D20M
- *T-02A1C26M
- *U-02A1C26N
- *V-02A1C26O
- *W-02A1C26P
- *X-02A1C26Q
- *Y-02A1C26R
- *Z-02A1C26S

COMMENTS

TAG DATE F.C. NO. TAG DATE F.C. NO. TAG DATE F.C. NO. TAG DATE F.C. NO.

A 06-12-61 113202 B 08-10-61 11324N C 09-11-61 11326U D 09-10-61 11326V

E 10-11-61 112295 F 12-06-61 113422

0724307

VOLTAGE DISTRIBUTION

1401 MY

71.71.51.2

-12 VOLTS
00.00.00.1--*1

U LEVEL SET RES
COMMON
*A--00.00.00.1

+6 VOLTS
00.00.00.1--*2

T LEVEL SET RES
COMMON
*B--00.00.00.1

GROUND A
00.00.00.1--*3

GROUND A
*C--00.00.00.1

GROUND C
00.00.00.1--*4

GROUND C
*D--00.00.00.1

-12 VOLTS C
00.00.00.1--*5

-12 VOLTS C
*E--00.00.00.1

+12 M VOLTS
00.00.00.1--*6

+12M VOLTS
*F--00.00.00.1

GROUND B
00.00.00.1--*7

GROUND B
*G--00.00.00.1

-12 VOLTS B
00.00.00.1--*8

-12 VOLTS B
*H--00.00.00.1

-12 VOLTS A
00.00.00.1--*9

-12 VOLTS A
*J--71.31.11.2

A
B
C
D
E
F
G
H
J

A
B
C
D
E
F
G
H
J

*1--02A1C19H
*7--02A1B21J
*C--02A1A26J
*6--02A1B22J

*2--02A1C19L
*8--02A1B21H
*D--02A1C22J
*H--02A1B22H

*3--02A1A21J
*9--02A1A21N
*E--02A1C22H
02A1B22K

*4--02A1C21J
*A--02A1D19A
*F--02A1B21N
*J--02A1A26A

*5--02A1C21H
02A1B23H
02A1B22N

*6--02A1A21N
*B--02A1D19R
02A1C22N

COMMENTS

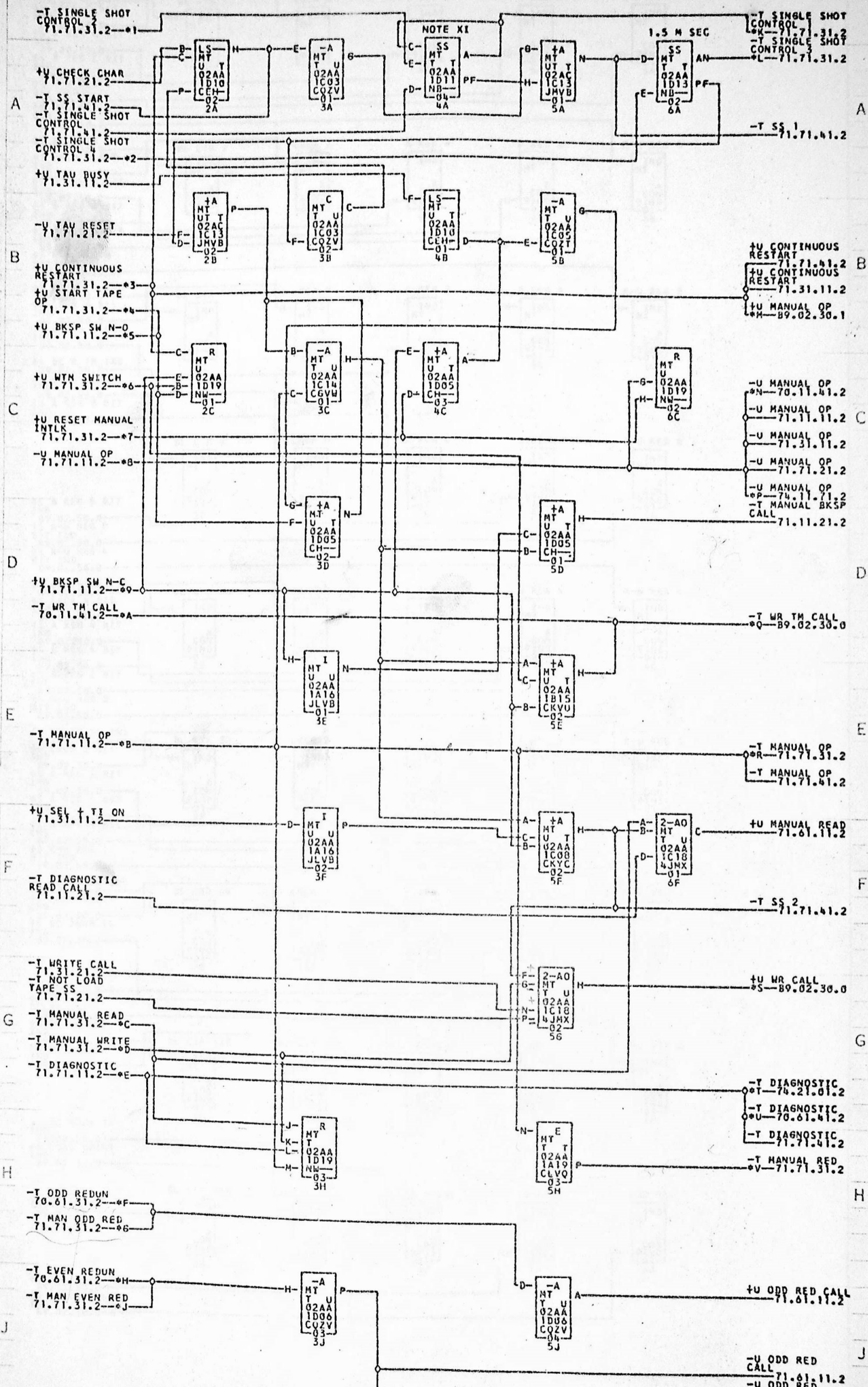
TAG	DATE	E.C.NO.	TAG	DATE	E.C.NO.	TAG	DATE	E.C.NO.	TAG	DATE	E.C.NO.
A	06-12-61	1103202									

6724308

MANUAL OPERATION

1401 MT

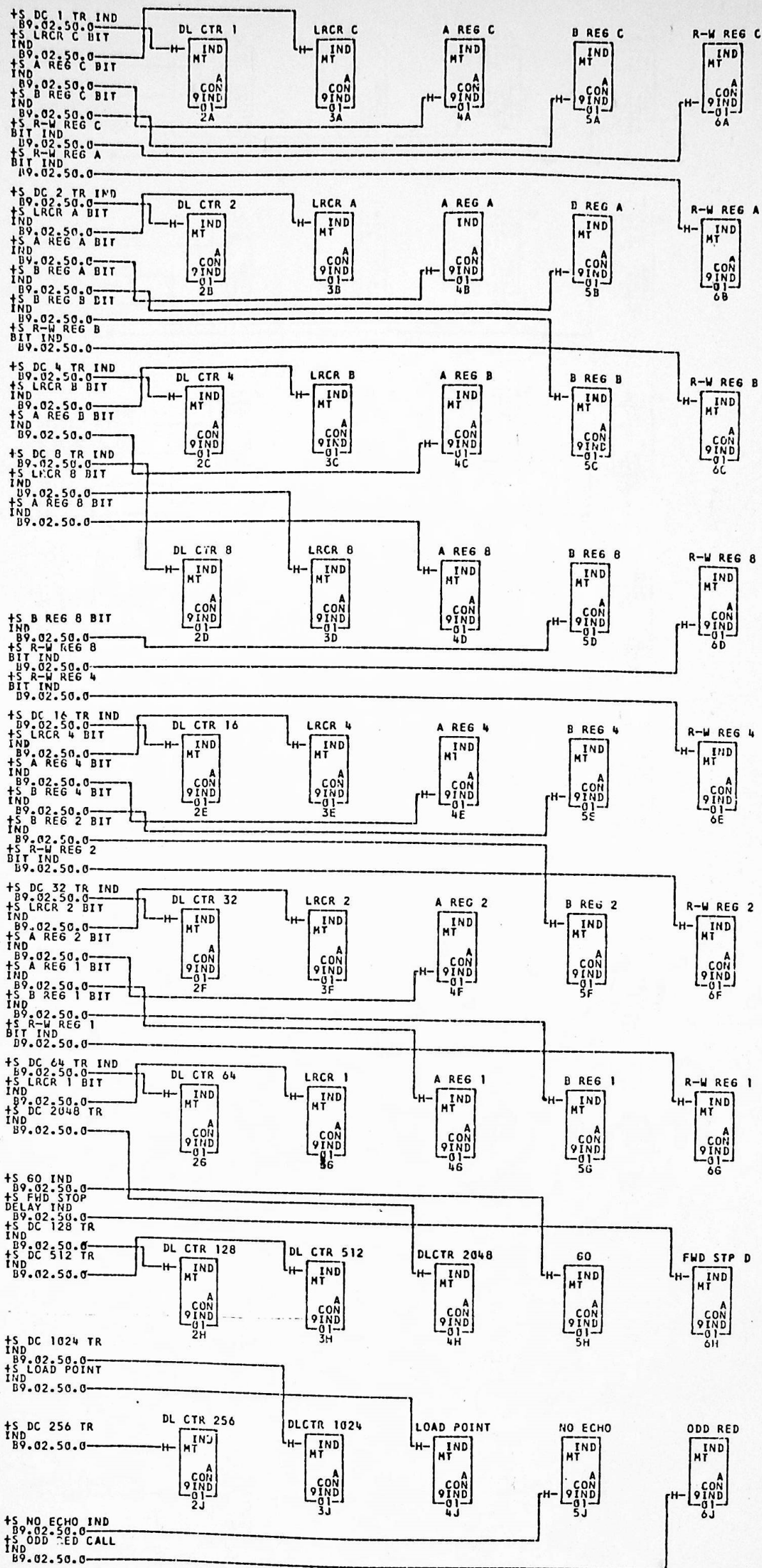
71.71.61.2



- *1--02A1D21C *2--02A1D21F *3--02A1D22L *4--02A1D22O *5--02A1D24L *6--02A1D22K
- *7--02A1D22P *8--02A1D24N *9--02A1D24K *A--02A1C25H *B--02A1D24H *C--02A1D22N
- *D--02A1D22M *E--02A1D24P *F--02A1D25A *G--02A1D23C *H--02A1D25B *J--02A1D23B
- *K--02A1D21B *L--02A1D21G *M--02A1A26H *N--02A1D25H *P--02A1D17A
- *O--02A1B26E *Q--02A1B26E *R--02A1D22C *S--02A1B26H *T--02A1D17B
- *U--02A1C25J *V--02A1D22E *W--02A1B25L *X--02A1D17B *Y--02B1E03B

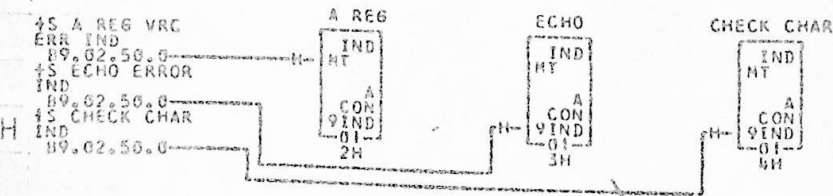
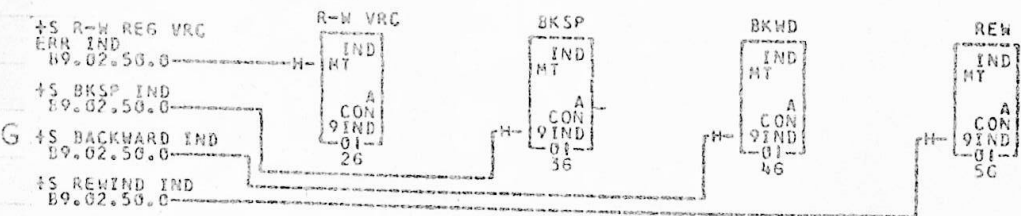
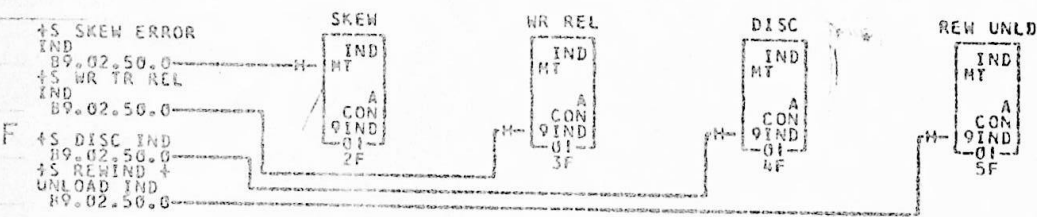
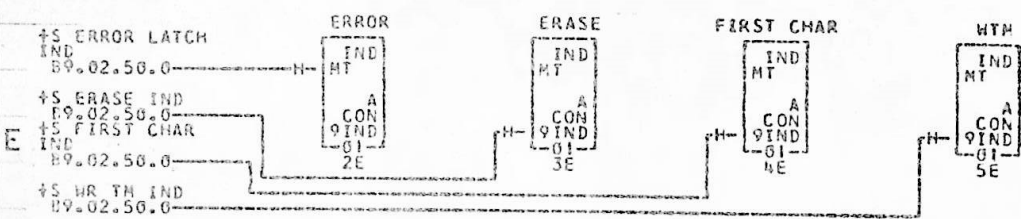
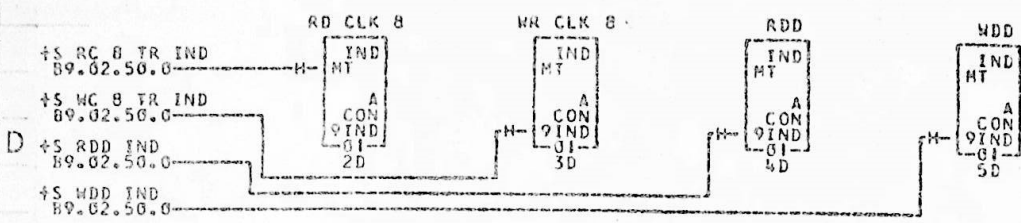
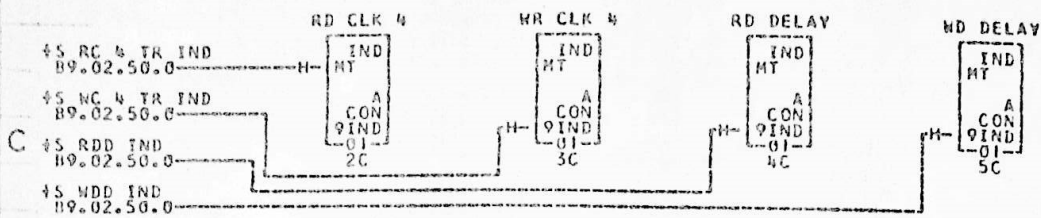
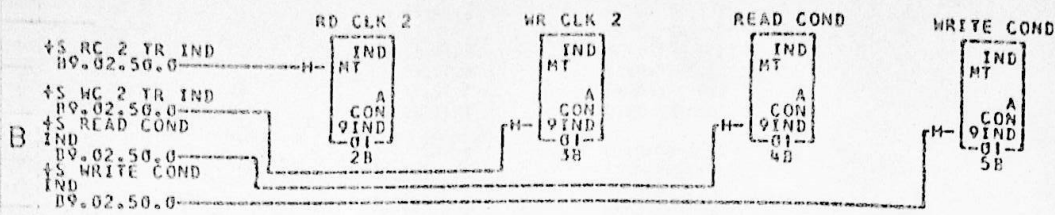
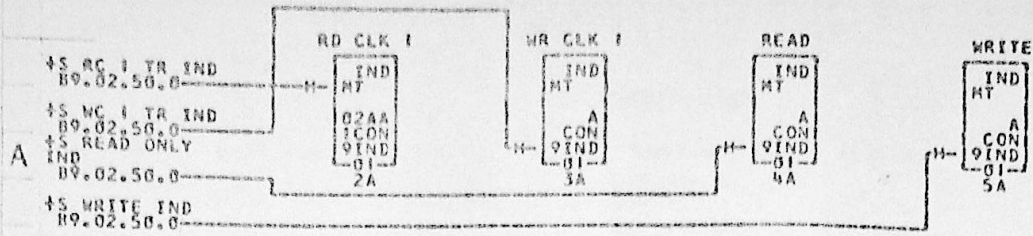
NOTE X-TRIGGER NOT CLAMPED TO -6 VOLTS
 NOTE XI-SS, SETTING MAX FOR 10 TO 100 MS VARIATION

COMMENTS
 TAG DATE E.C.NO. TAG DATE E.C.NO. TAG DATE E.C.NO. TAG DATE E.C.NO.
 A 06-12-61 1103202 B 08-10-61 110324N C 12-06-61 113422



COMMENTS

TAG	DATE	E.C.NO.	TAG	DATE	E.C.NO.	TAG	DATE	E.C.NO.	TAG	DATE	E.C.NO.
A	06-12-61	1103202	B	12-19-61	113535						



COMMENTS

TAG	DATE	E.C.NO.	TAG	DATE	E.C.NO.	TAG	DATE	E.C.NO.	TAG	DATE	E.C.NO.
A	06-12-61	1103202									

INPUT LINES

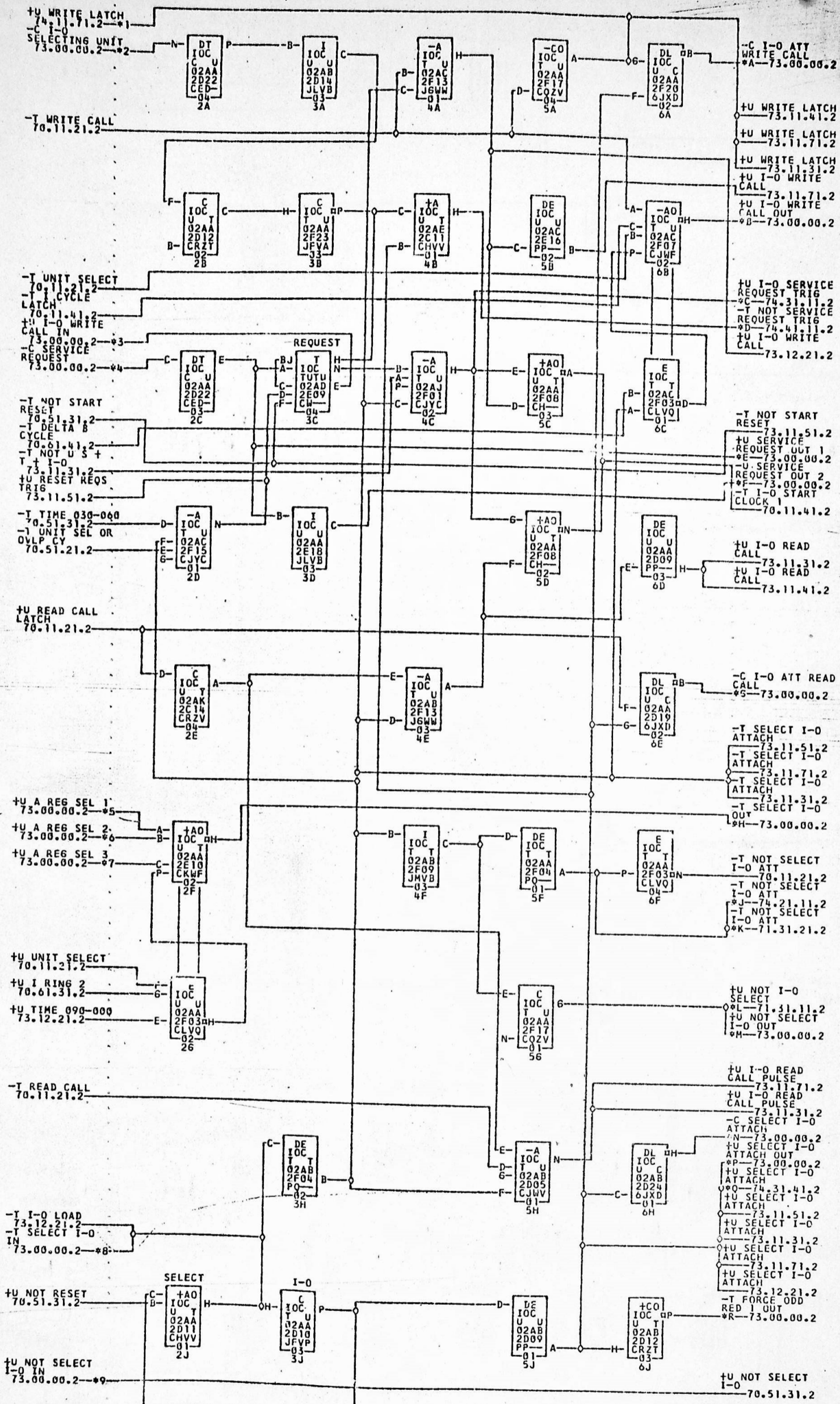
TITLE-1401	LOGIC	PLUG CONN	PLUG CONN	LOGIC	TITLE I-O ATTACHMENT
-C*SERVICE REQUEST	73.11.11.2	02TD-113/114			
-C*I-0 SELECTING UNIT	73.11.11.2	02TD-132/133			
-C*I-0 INPUT WM	73.11.21.2	02TD-170/185			
-C*I-0 INPUT 1	73.11.21.2	02TD-172/171			
-C*I-0 INPUT 2	73.11.21.2	02TD-174/173			
-C*I-0 INPUT 4	73.11.21.2	02TD-176/175			
-C*I-0 INPUT 8	73.11.21.2	02TD-178/177			
-C*I-0 INPUT A	73.11.21.2	02TD-180/179			
-C*I-0 INPUT B	73.11.21.2	02TD-182/181			
-C*I-0 INPUT C	73.11.21.2	02TD-184/183			
-C*END OF TRANS	73.11.31.2	02TD-091/092			
-C*SINGLE CHAR TRANS	73.11.31.2	02TD-082/083			
-C*I-0 TRF 1	73.11.41.2	02TD-086/087			
-C*I-0 TRF 2	73.11.41.2	02TD-088/089			
-C*I-0 TRF 3	73.11.41.2	02TD-090/100			
-C*I-0 TRF 4	73.11.41.2	02TD-097/096			
-C*I-0 TRF 5	73.11.51.2	02TD-099/098			
-C*I-0 TRF 6	73.11.51.2	02TD-106/107			
-C*I-0 TRF 7	73.11.51.2	02TD-108/109			
-C*I-0 TRF 8	73.11.51.2	02TD-117/116			
-C*I-0 LOAD	73.12.21.2	02TD-168/169			
-C*I-0 ERROR LIGHT	73.11.51.2	02TD-134/135			
EMERGENCY OFF SWITCH		02TD-057/058			
+U=NOT=SELECT=I-0=IN	73.11.11.2	02TD-055			
+U=DATA=C*LOAD=OR=MOVE=IN	73.12.11.2	02TD-049			
24V AC I-0 CONN INTLK	38.11.21.1	02TD-69			
24V AC I-0 CONN INTLK	38.11.21.1	02TD-70	NOTE 1		
-U DISC LATCH RESET IN	73.11.51.2	02TD-005			
+U-A-REG-SEL-1	73.11.11.2	02TD-001			
+U-A-REG-SEL-2	73.11.11.2	02TD-002			
+U-A-REG-SEL-3	73.11.11.2	02TD-003			
-T-FORCE-ODD-REDUN	70.61.31.2	02TD-004			
+U=NOT=I-0=READ=CALL	70.11.21.2	02TD-006			
+U SELECT I-0 ATTACH IN	73.11.31.2	02TD-022			
-T-RESET-A-REG-ERROR	70.61.21.2	02TD-008			
-T-I-0-TRANS-EOR	73.11.31.2	02TD-012			
+U-I-0-DISC-IN	73.11.51.2	02TD-030			
+U-SELECT-1-IN	73.11.61.2	02TD-029			
+U-SET-WRITE-LATCH-IN	73.11.41.2	02TD-009			
+U-SET-READ-LTCH-IN OR DISC	73.11.41.2	02TD-010			
+U-I-0-ERROR-LAT -IN	73.11.41.2	02TD-011			
+U*START*RESET*IN	73.11.31.2	02TD-038			
+U*SERVICE*REQUEST-IN-1	73.11.71.2	02TD-043			
-T*SELECT*I-0*IN	73.11.11.2	02TD-047			
+U I-0 WRITE CALL IN	73.11.11.2	02TD-050			
-C I-0 READY	73.12.21.2	02TD-053/052			

OUTPUT LINES

TITLE-1401	LOGIC	PLUG CONN	PLUG CONN	LOGIC	TITLE I-O ATTACHMENT
-C PROCESS M I-0	73.11.31.2	02TD-093/094			
-C*I-0 ATT WRITE CALL	73.11.11.2	02TD-121/122			
-C*I-0 ATT READ CALL	73.11.11.2	02TD-123/124			
-C*SELECT I-0 ATTACH	73.11.11.2	02TD-115/125			
-C*I-0 PROCESS CHECK	73.11.31.2	02TD-095/105			
-C*I-0 TIME 000-030	73.11.31.2	02TD-101/102			
-C*I-0 TIME 030-060	73.11.31.2	02TD-103/104			
-C*1401 RESET	73.11.31.2	02TD-084/085			
-C-RESET TRANS ERR LAT	73.11.41.2	02TD-110/120			
-C*I-0 UNIT 1 CONTROL	73.11.71.2	02TD-164/165			
-C*I-0 UNIT 2 CONTROL	73.11.71.2	02TD-166/167			
-C*I-0 DISC	73.11.51.2	02TD-136/137			
-C*I-0 1 SELECT	73.11.61.2	02TD-142/141			
-C*I-0 2 SELECT	73.11.61.2	02TD-144/143			
-C*I-0 3 SELECT	73.11.61.2	02TD-146/145			
-C*I-0 4 SELECT	73.11.61.2	02TD-148/147			
-C*I-0 5 SELECT	73.11.61.2	02TD-150-149			
-C*I-0 6 SELECT	73.11.61.2	02TD-152/151			
-C*I-0 7 SELECT	73.11.61.2	02TD-154/153			
-C*I-0 8 SELECT	73.11.61.2	02TD-140/155			
-C*I-0 9 SELECT	73.11.61.2	02TD-138/139			
-C*I-0 10 SELECT	73.11.71.2	02TD-156/157			
-C*I-0 11 SELECT	73.11.71.2	02TD-158/159			
-C*I-0 12 SELECT	73.11.71.2	02TD-160/161			
-C*I-0 13 SELECT	73.11.71.2	02TD-162/163			
-C*I-0 14-SELECT	73.11.71.2	02TD-130/131			
-C*SERVICE RESPONSE	73.11.71.2	02TD-119/118			
-C*TIME 090-000	73.12.21.2	02TD-126/127			
-C*TIME 060-090	73.11.71.2	02TD-128/129			
-C*I-0 OUTPUT 1	73.12.11.2	02TD-186/187			
-C*I-0 OUTPUT 2	73.12.11.2	02TD-188/189			
-C*I-0 OUTPUT 4	73.12.11.2	02TD-190/191			
-C*I-0 OUTPUT 8	73.12.11.2	02TD-192/193			
-C*I-0 OUTPUT A	73.12.11.2	02TD-194/195			
-C*I-0 OUTPUT B	73.12.11.2	02TD-196/197			
-C*I-0 OUTPUT C	73.12.11.2	02TD-198/199			
-C*1401 IS STOPPED	73.12.21.2	02TD-059/060			
+U-A-REG-NOT-21	35.16.61.2	02TD-016			
+U-A-REG-AB	35.16.81.2	02TD-017			
+U-A-REG-A-NOT-B	35.16.81.2	02TD-018			
+U-A-REG-B-NOT-A	35.16.81.2	02TD-031			
+U-A-REG-2-NOT-1	35.16.51.2	02TD-032			
+U-A-REG-NOT-84	35.16.71.2	02TD-033			
+U-A-REG-4-NOT-8	35.16.71.2	02TD-034			
+U-A-REG-1-NOT-2	35.16.61.2	02TD-035			
-T-FORCE-ODD-RED-1-OUT	73.11.11.2	02TD-019			
-U DISC LATCH RESET OUT	73.11.51.2	02TD-020			
+U=NOT=I-0=READ=CALL-1	73.11.31.2	02TD-021			
+U SELECT I-0 ATTACH OUT	73.11.11.2	02TD-007			
-T-RESET-A-REG-ERROR-1	73.11.41.2	02TD-023			
-T-I-0-TRF-1	73.11.41.2	02TD-013			
-T-I-0-TRF-2	73.11.41.2	02TD-027			
+6=VOLTS	73.12.11.2	02TD-036			
+U-I-0-DISC-OUT-1	73.11.51.2	02TD-014			
+U-I-0-DISC-OUT-2	73.11.51.2	02TD-015			
+U-SELECT-1-OUT	73.11.61.2	02TD-028			
+U-SET-WRITE-LATCH-OUT	73.11.41.2	02TD-024			
+U-SET-READ-LATCH-OUT	73.11.41.2	02TD-025			
+U-I-0-ERROR-LAT-1 = OUT	73.11.41.2	02TD-026			
+U*START*RESET*OUT	73.11.31.2	02TD-039			
+U=NOT*START*RESET*OUT	73.11.31.2	02TD-037			
+U*SERVICE*REQUEST-OUT-1	73.11.11.2	02TD-041			
-U*SERVICE*REQUEST-OUT-2	73.11.11.2	02TD-042			
+U-A-REG-12	35.16.51.2	02TD-044			
+U*A*REG*8=NOT*4	35.16.71.2	02TD-045			
-T*FORCE*ODD*RED*2	73.11.51.2	02TD-048			
-T*SELECT*I-0*OUT	73.11.11.2	02TD-046			
+U I-0 WRITE CALL OUT	73.11.11.2	02TD-051			
+U=NOT=SELECT=I-0 OUT	73.11.11.2	02TD-054			
+U=DATA=C*LOAD=OR=MOVE OUT	73.12.11.2	02TD-056			
-C*I-0 OUTPUT WM	73.12.11.2	02TD-111/112			
+U=DATA=C*OUT	70.51.21.2	02TD-040			

NOTE: PLUG CONN 02TD-121/122 121 IS SIGNAL WIRE 122 IS REF WIRE
 NOTE 1: USED BY DIRECT DATA CHANNEL FEATURE ONLY IF THIS FEATURE IS
 INSTALLED AND ANOTHER SERIAL I-O DEVICE IS TO BE CONNECTED, A
 JUMPER MUST BE PROVIDED IN THE CONNECTOR OF DEVICE BEING ATTACHED

DATE	EC NO	DATE	EC NO	DATE	EC NO
6-27-61	110320V	3-10-64	114106		
7-17-62	116225	27AUG65	124694		
8-3-62	116230				
10-22-62	116728				
9-17-63	118575B				



- *1-02A2B25E
- *2-02TD-132
- *3-02A2E23M
- *4-02TD-113
- *5-02A2F26A
- *6-02A2F26B
- *7-02A2F26C
- *8-02TD-047
- *9-02A2C22B
- *10-02A2F26D
- *11-02A2E24H
- *12-02A2E24M
- *13-02TD-050
- *14-02A2E24K
- *15-02TD-055
- *16-02A2F24M
- *17-02TD-051
- *18-02A2B23K
- *19-02A2F24N
- *20-02TD-041
- *21-02A2E24L
- *22-02TD-046
- *23-02A2B25H
- *24-02A2E26A
- *25-02TD-042
- *26-02A2B25M
- *27-02A2E26B
- *28-02TD-043
- *29-02A2B25N
- *30-02A2E26C
- *31-02TD-044
- *32-02A2B25P
- *33-02A2E26D
- *34-02TD-045
- *35-02A2B25Q
- *36-02A2E26E
- *37-02TD-046
- *38-02A2B25R
- *39-02A2E26F
- *40-02TD-047
- *41-02A2B25S
- *42-02A2E26G
- *43-02TD-048
- *44-02A2B25T
- *45-02A2E26H
- *46-02TD-049
- *47-02A2B25U
- *48-02A2E26I
- *49-02TD-050
- *50-02A2B25V
- *51-02A2E26J
- *52-02TD-051
- *53-02A2B25W
- *54-02A2E26K
- *55-02TD-052
- *56-02A2B25X
- *57-02A2E26L
- *58-02TD-053
- *59-02A2B25Y
- *60-02A2E26M
- *61-02TD-054
- *62-02A2B25Z
- *63-02A2E26N
- *64-02TD-055
- *65-02A2B26A
- *66-02A2E26O
- *67-02TD-056
- *68-02A2B26B
- *69-02A2E26P
- *70-02TD-057
- *71-02A2B26C
- *72-02A2E26Q
- *73-02TD-058
- *74-02A2B26D
- *75-02A2E26R
- *76-02TD-059
- *77-02A2B26E
- *78-02A2E26S
- *79-02TD-060
- *80-02A2B26F
- *81-02A2E26T
- *82-02TD-061
- *83-02A2B26G
- *84-02A2E26U
- *85-02TD-062
- *86-02A2B26H
- *87-02A2E26V
- *88-02TD-063
- *89-02A2B26I
- *90-02A2E26W
- *91-02TD-064
- *92-02A2B26J
- *93-02A2E26X
- *94-02TD-065
- *95-02A2B26K
- *96-02A2E26Y
- *97-02TD-066
- *98-02A2B26L
- *99-02A2E26Z
- *100-02TD-067
- *101-02A2B26M
- *102-02A2E27A
- *103-02TD-068
- *104-02A2B26N
- *105-02A2E27B
- *106-02TD-069
- *107-02A2B26O
- *108-02A2E27C
- *109-02TD-070
- *110-02A2B26P
- *111-02A2E27D
- *112-02TD-071
- *113-02A2B26Q
- *114-02A2E27E
- *115-02TD-072
- *116-02A2B26R
- *117-02A2E27F
- *118-02TD-073
- *119-02A2B26S
- *120-02A2E27G
- *121-02TD-074
- *122-02A2B26T
- *123-02A2E27H
- *124-02TD-075
- *125-02A2B26U
- *126-02A2E27I
- *127-02TD-076
- *128-02A2B26V
- *129-02A2E27J
- *130-02TD-077
- *131-02A2B26W
- *132-02A2E27K
- *133-02TD-078
- *134-02A2B26X
- *135-02A2E27L
- *136-02TD-079
- *137-02A2B26Y
- *138-02A2E27M
- *139-02TD-080
- *140-02A2B26Z
- *141-02A2E27N
- *142-02TD-081
- *143-02A2B27A
- *144-02A2E27O
- *145-02TD-082
- *146-02A2B27B
- *147-02A2E27P
- *148-02TD-083
- *149-02A2B27C
- *150-02A2E27Q

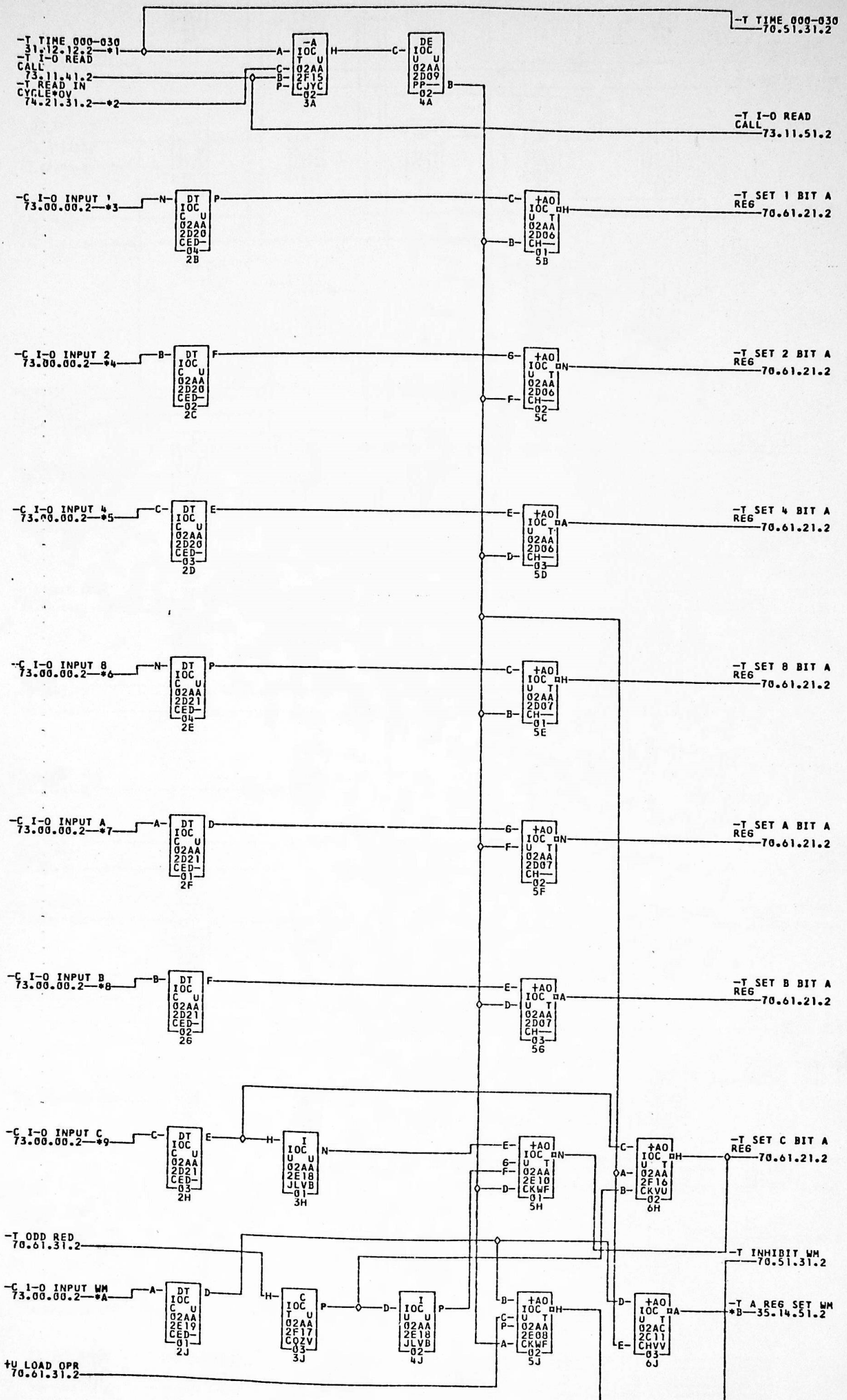
COMMENTS

TAG	DATE	E.C.NO.	TAG	DATE	E.C.NO.	TAG	DATE	E.C.NO.	TAG	DATE	E.C.NO.
A	06-12-61	10320V	A	07-10-61	10320K	A	08-11-61	10324N	A	09-11-61	110324U
J	10-11-61	2235	B	12-04-61	13422K	G	02-12-62	14239	D	02-23-62	110248
E	04-04-62	5278	F	07-11-62	14225	L	08-07-62	16230	M	10-23-62	110248
N	11-08-62	16353	P	12-10-62	16749B	O	08-06-63	118306	H	09-16-62	110728
S	11-04-64	21869							R	09-16-63	118575B

0724256

I-O DATA INPUT

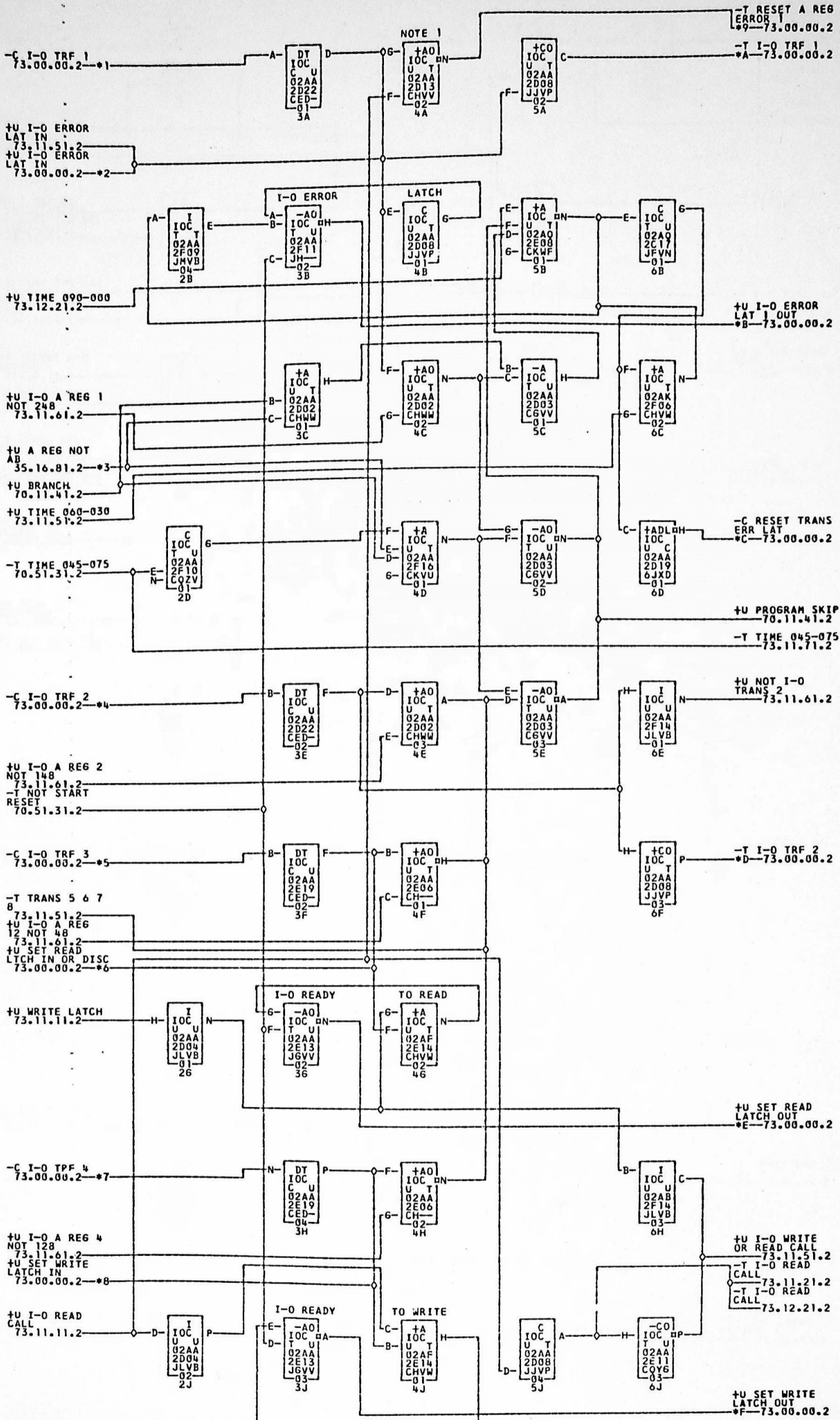
1401 IO 73.11.21.2



- *1-02A2D25E *2-02A2H23B *3-02TD-172 02A2E23C *4-02TD-174 02A2E23D
- *5-02TD-176 02A2E23E *5-02TD-178 02A2E23F *7-02TD-190 02A2E236
- *8-02TD-182 02A2E23H *9-02TD-184 02A2E23J *A-02TD-170 02A2E230
- *B-02A2D25F 02A2E23I 01A3E030

COMMENTS

TAG	DATE	E.C.NO.	TAG	DATE	E.C.NO.	TAG	DATE	E.C.NO.	TAG	DATE	E.C.NO.
A	06-12-61	110328V	B	09-11-61	110324U	C	10-11-61	112235	D	12-06-61	113422
E	04-04-62	115278	F	10-23-62	116728	G	12-10-62	116749B	H	03-14-63	117144
J	04-19-63	117484	K	06-05-63	117953	L	11-23-63	117149			

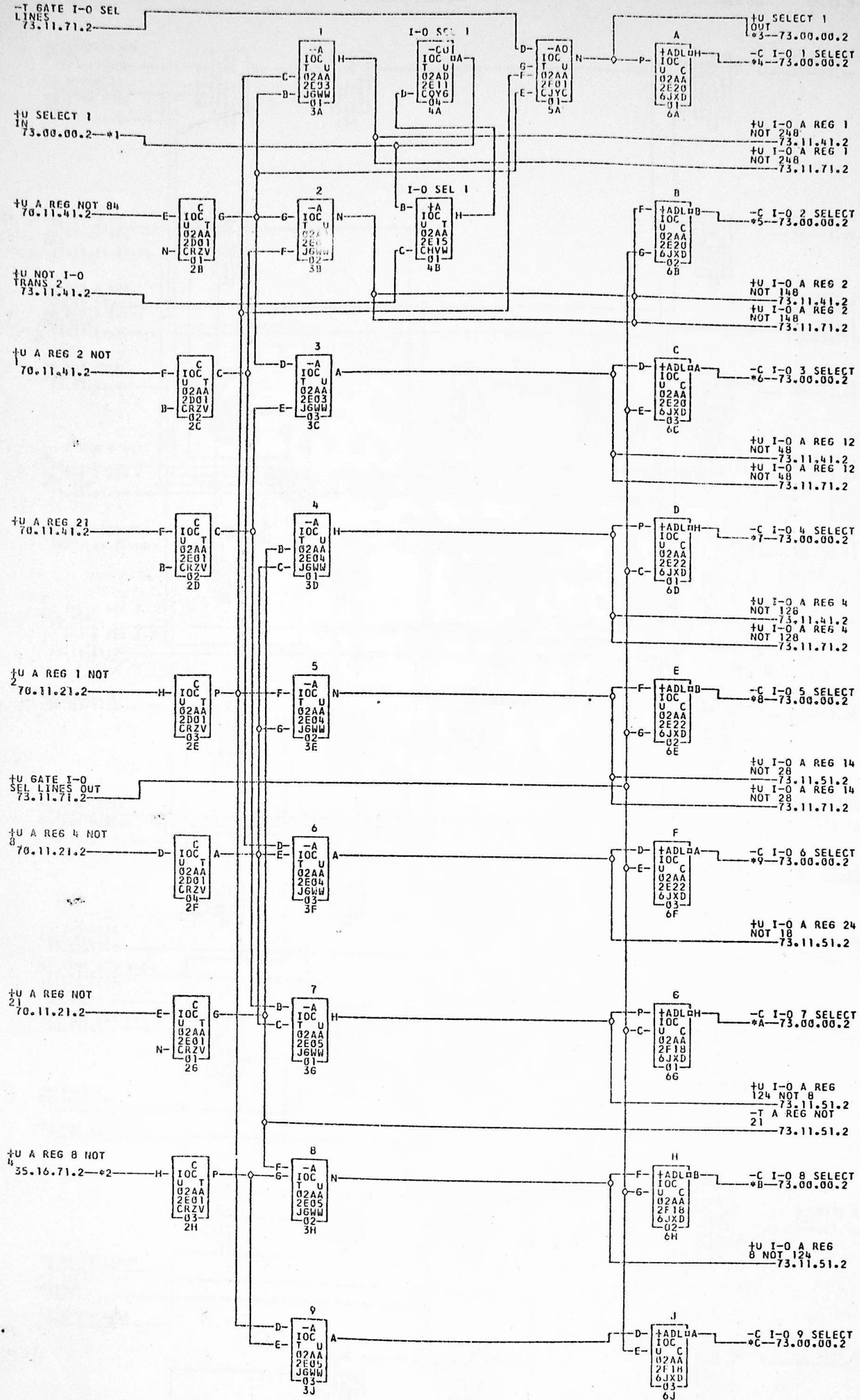


- *1-02TD-086 *5-02A2E23N *2-02A2F25R *6-02TD-011 *3-02A2C24A *4-02TD-088
- 02A2E23P *5-02TD-090 02A2E24F *6-02A2F25P 02TD-010 *7-02TD-097
- 02A2E24G *8-02A2F25M 02TD-009 *9-02A2F26N 02TD-023 *A-02A2F25A
- 02TD-013 *B-02A2F25Q 02TD-026 *C-02A2E26G 02TD-110 *D-02A2F25B
- 02TD-027 *E-02A2F25N 02TD-025 *F-02A2F25L 02TD-024

NOTE 1 LOAD FOR THIS CARD SUPPLIED BY TIE DOWN TO A13 WITH NO MAG. TAPE

COMMENTS

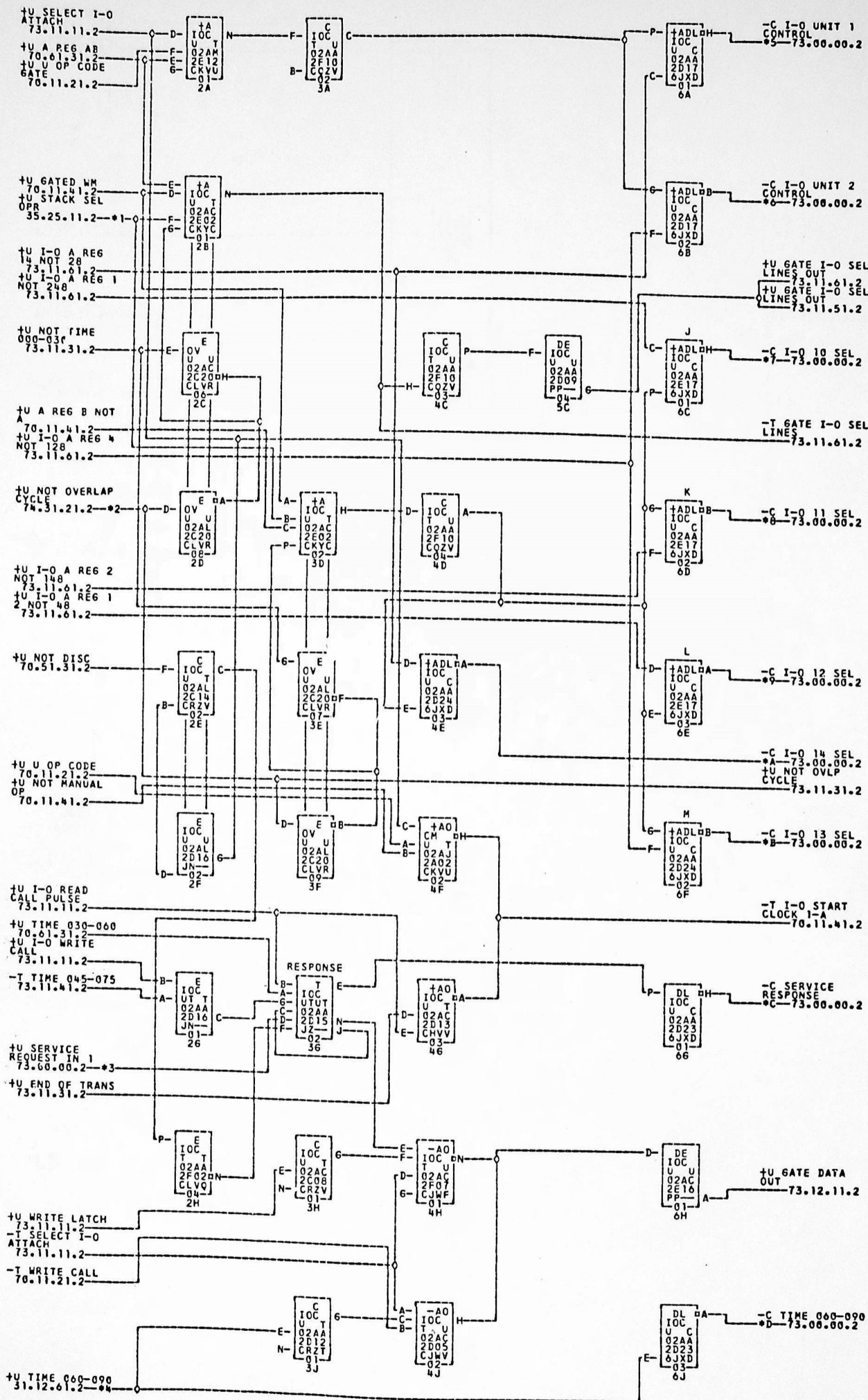
TAG	DATE	E.C.NO.	TAG	DATE	E.C.NO.	TAG	DATE	E.C.NO.	TAG	DATE	E.C.NO.
A	06-12-61	110320V	B	07-10-61	110324K	C	08-11-61	110324N	D	09-11-61	110324U
E	09-18-61	110324V	F	12-06-61	113422	G	02-12-62	114239	H	02-22-62	114248
J	04-04-62	115278	K	07-17-62	116225	L	08-21-62	116239	M	11-09-62	116353
N	12-10-62	116749B	P	09-16-63	118575B	Q	03-11-64	114106	R	06-15-64	114222



- *1--02A2F25K 02TD-029 *2--02A2C24E *3--02A2F25J 02TD-028 *4--02A2E25J
- 02TD-142 *5--02A2E25K 02TD-144 *6--02A2E25L 02TD-146 *7--02A2E25H
- 02TD-148 *8--02A2E25N 02TD-150 *9--02A2E25P 02TD-152 *A--02A2E25Q
- 02TD-154 *B--02A2E25F 02TD-140 *C--02A2E256 02TD-138

COMMENTS

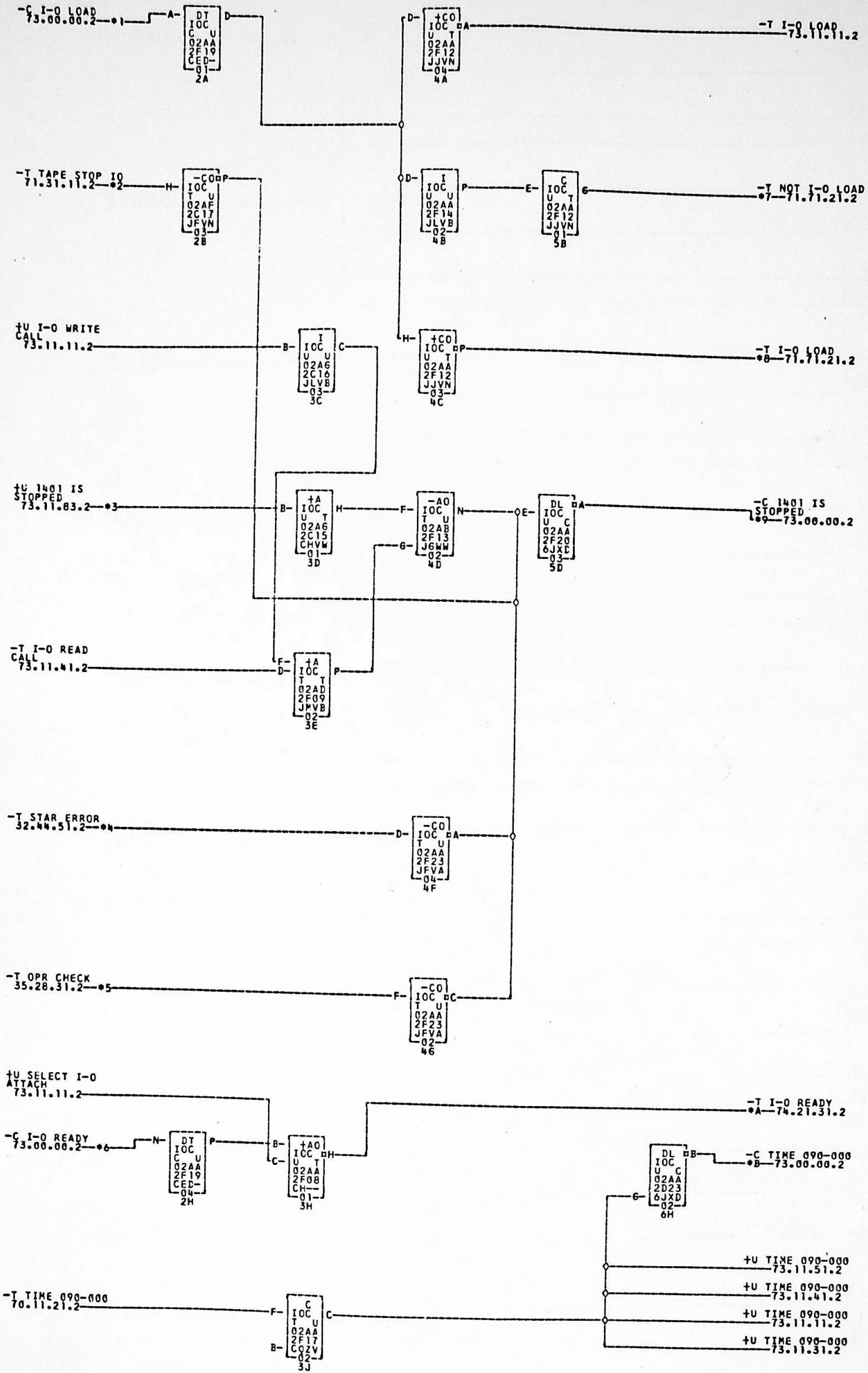
TAG	DATE	E.C.NO.	TAG	DATE	E.C.NO.	TAG	DATE	E.C.NO.	TAG	DATE	E.C.NO.
A	06-12-61	110320V	B	07-10-61	110324K	C	08-11-61	110324M	D	10-11-61	112235
E	11-08-62	116353	F	12-10-62	116749D	G	06-05-63	117953			



- *1-02A2C23E *2-02A2B23R *3-02A2F24P *7-02TD-043 *4-02A2D25D *5-02A2E26B
- 02TD-104 *0-02A2E26C 02TD-160 *A-02A2E25B 02TD-156 *8-02A2E25C
- 02TD-162 *C-02A2E26Q 02TD-119 *D-02A2E26N 02TD-130 *B-02A2E25E

COMMENTS

TAG	DATE	E.C.NO.	TAG	DATE	E.C.NO.	TAG	DATE	E.C.NO.	TAG	DATE	E.C.NO.
A	06-12-61	110320V	F	07-10-61	110324K	G	08-11-61	110324N	D	09-18-61	110324V
J	10-11-61	112236	B	04-04-62	115278	C	05-11-62	115294	H	07-17-62	116225
E	08-21-62	112236	K	11-08-62	116353	L	12-10-62	116749B	M	03-27-63	117238
N	06-05-63	119653	P	06-15-64	14222	O	08-26-65	124694			



- *1-02TD-168 02A2E249 *2-02A2D266 *3-02A2D25C *4-02A2D25A *5-02A2D25B
- *6-02A2E23K 02TD-0533 *7-02A2D26E *8-02A2D26D *9-02A2F24L
- *A-02A2B250 02B1A030 *B-02A2E26P 02TD-126

COMMENTS

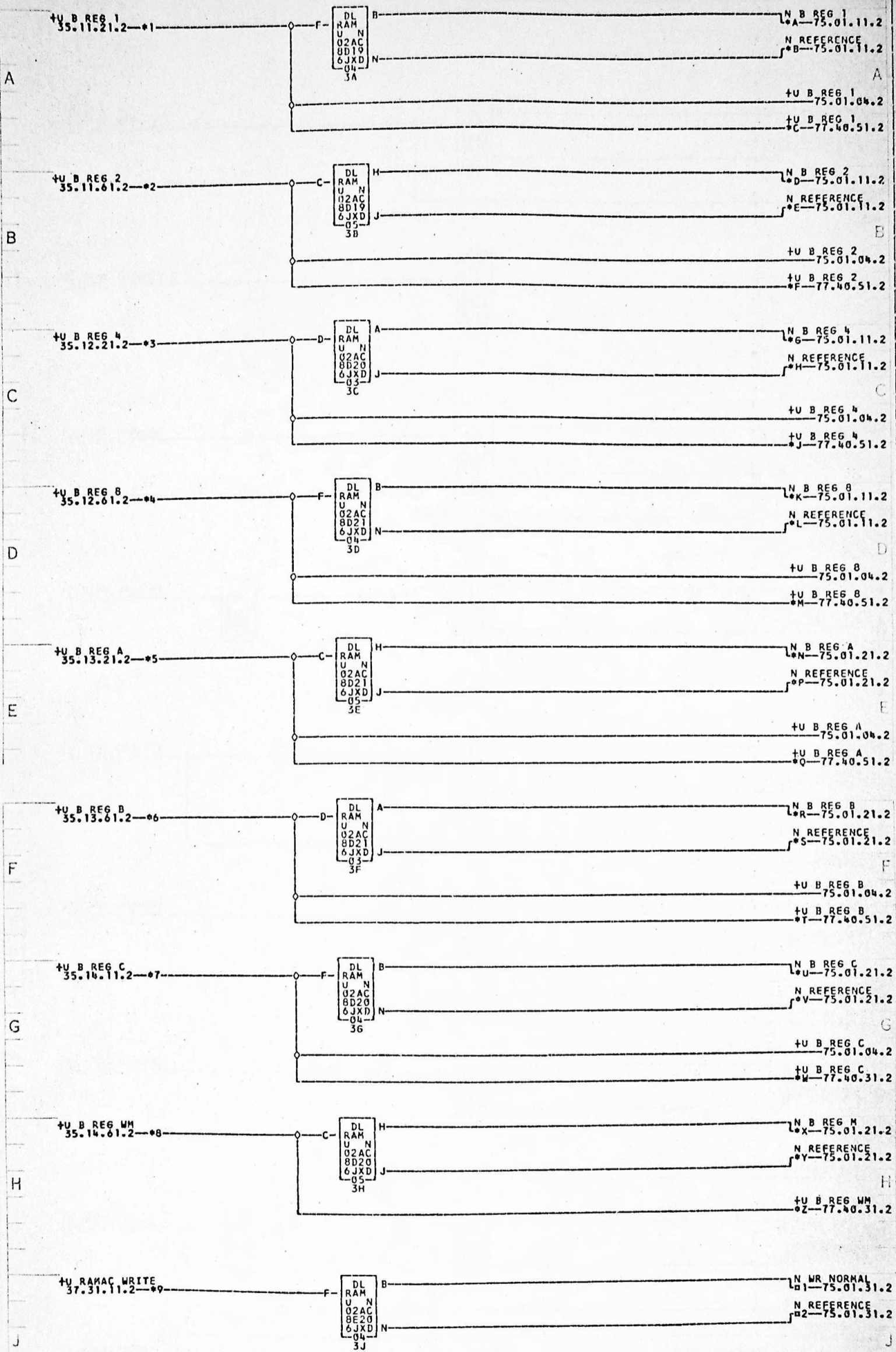
TAG	DATE	E.C.NO.	TAG	DATE	E.C.NO.	TAG	DATE	E.C.NO.	TAG	DATE	E.C.NO.
A	06-12-61	110320V	B	08-11-61	110324N	C	10-11-61	110330	D	12-06-61	113422
E	04-04-62	115278	F	08-07-62	116230	G	11-08-62	116353	H	12-10-62	116749B
J	06-05-63	117953	K	08-26-63	124694						

0724321

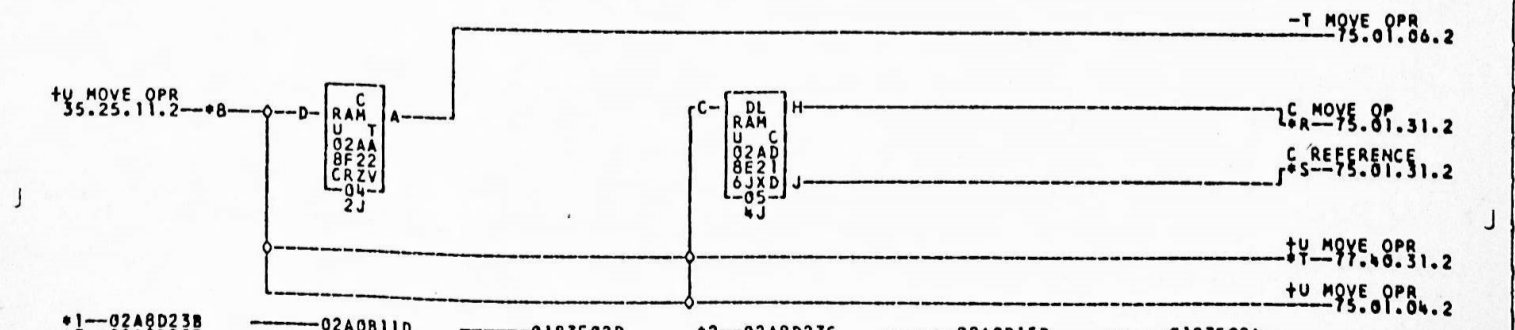
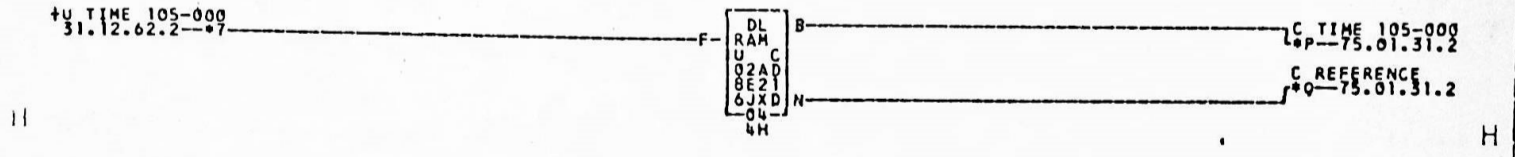
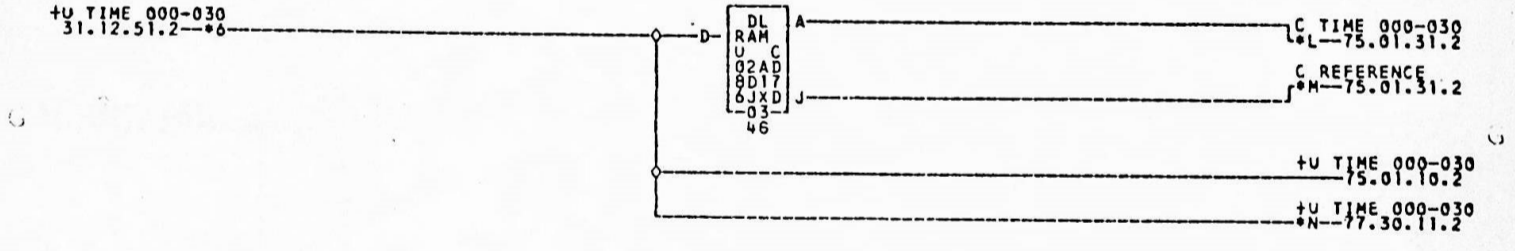
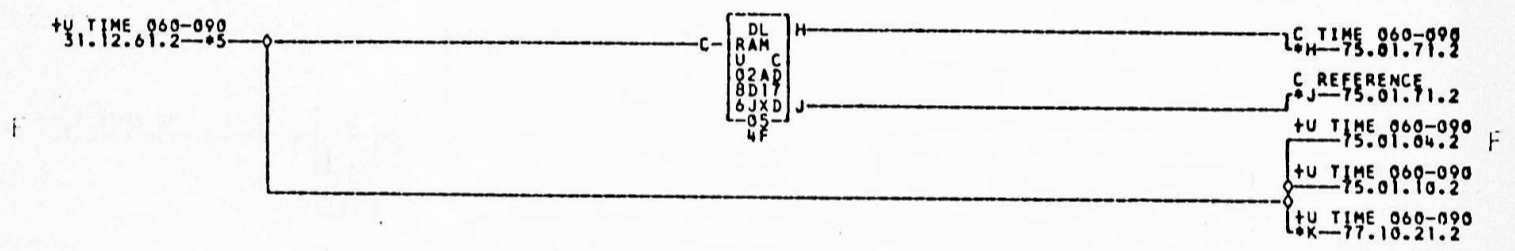
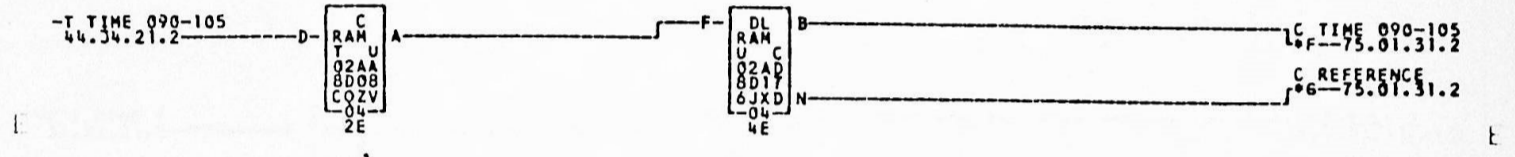
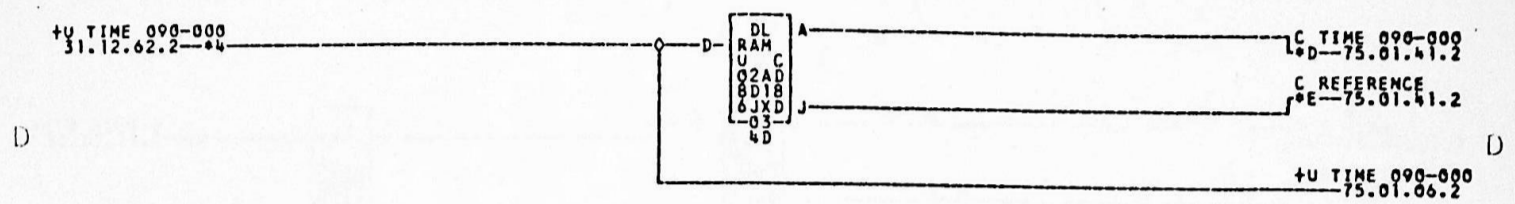
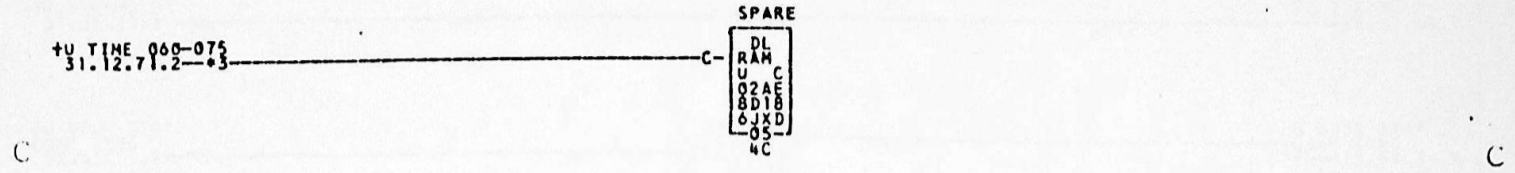
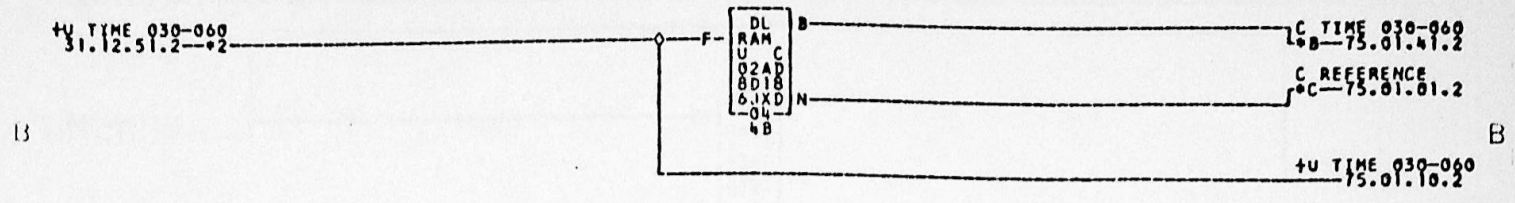
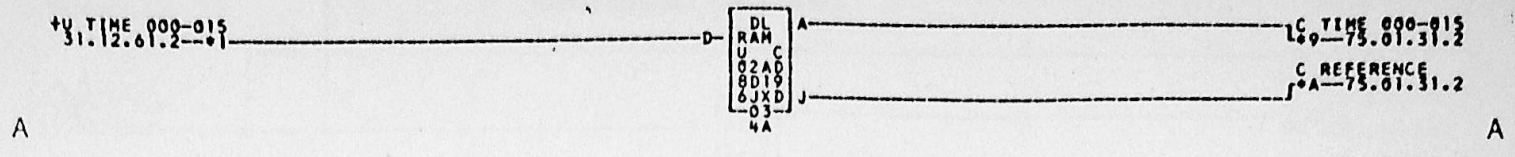
CPU DATA CABLE DRIVE

1401RAM

75.01.01.2



- | | | | | | |
|-------------|-------------|-------------|-------------|-------------|-------------|
| *1—02ABE23A | ———02A0B01F | ———01A3F24A | *2—02ABE23B | ———02A0B03F | ———01A3F24B |
| *3—02ABE23C | ———02A0B05E | ———01A3F24C | *4—02ABE23D | ———02A0C03F | ———01A3F24D |
| *5—02ABE23E | ———02A0B17F | ———01A3F24E | *6—02ABE23F | ———02A0B19F | ———01A3F24F |
| *7—02ABE23G | ———02A9E03D | ———01A3A26K | *8—02ABE23H | ———02A0B13E | ———01A3E55C |
| *9—02ABE23J | ———02A0E05A | ———01A2A16R | *A—02ABD26A | ———02B5C103 | *R—02ABD26B |
| *F—02B5C107 | *C—02A6C256 | *D—02ABD26C | *J—02ABD26J | *E—02ABD26D | ———02B5C114 |
| *L—02ABD26H | *G—02ABD26E | *H—02ABD26F | *N—02ABD26N | *K—02ABD26K | ———02B5C124 |
| *R—02ABD26L | ———02B5C127 | *M—02ABD26M | ———02B5C139 | *P—02ABD26P | *O—02ABD26L |
| *V—02ABD26V | *W—02ABD26W | *X—02ABD26X | ———02B5C148 | *Y—02ABD26Y | *U—02ABD26N |
| *Z—02ABD26Z | *1—02ABD25L | *2—02ABD25H | | | ———02B5C151 |



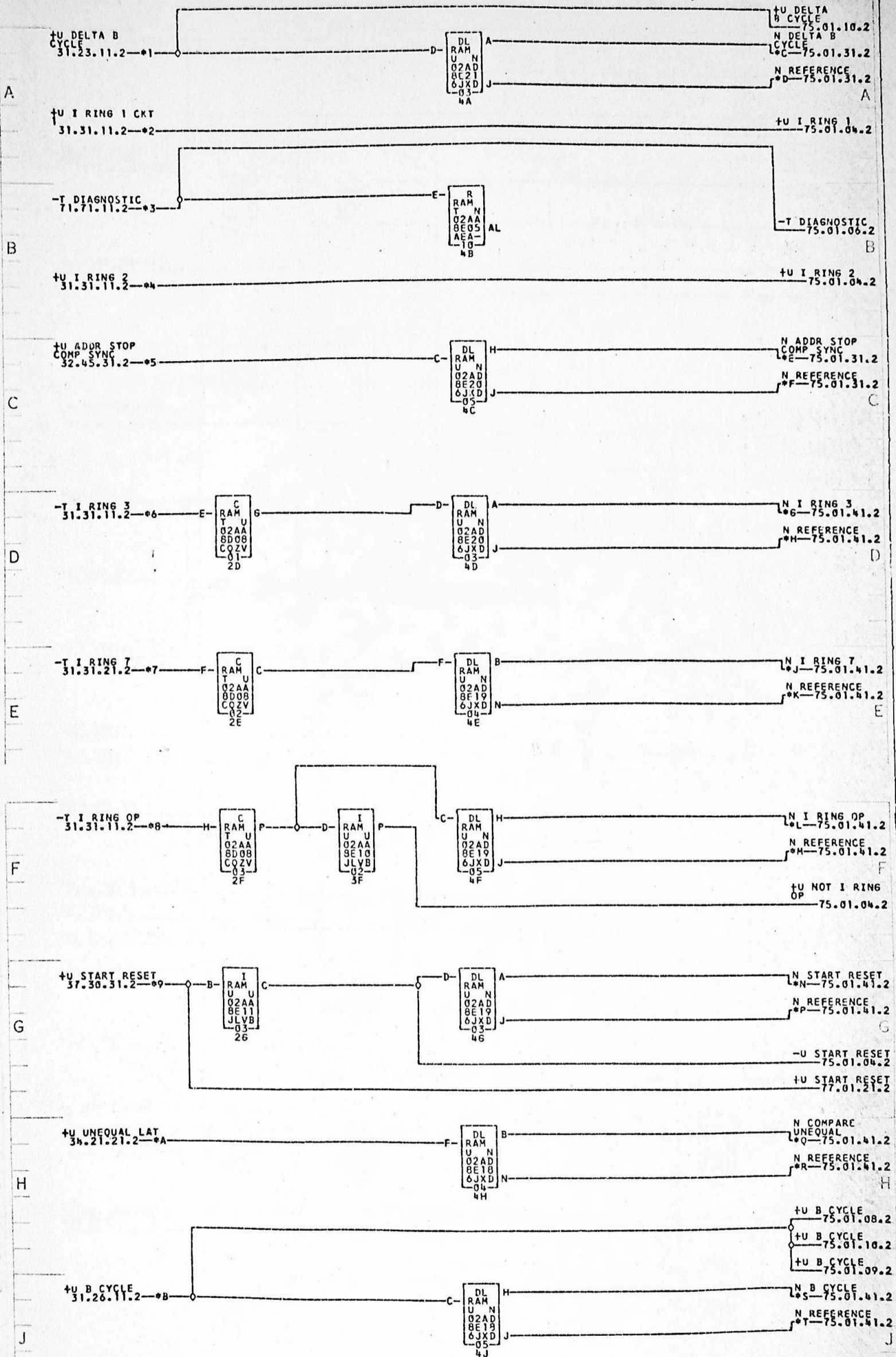
- | | | | | | |
|-------------|---------------|---------------|---------------|---------------|---------------|
| *1-02A8D23B | -----02A0B11D | -----01B3E02D | *2-02A8D23C | -----02A0B15D | -----01B3E02A |
| *2-02A8D23E | -----02A0C11F | -----01B3E020 | *4-02A8D23G | -----02A0B19D | -----01B3E02C |
| *3-02A8D23I | -----02A0B17D | -----01B3E028 | *6-02A8D23A | -----02A0B196 | -----01B3E01R |
| *7-02A8D23J | -----02A0C07F | -----01B3E02R | *8-02A8F23A | -----02A0E09A | -----01B1A03A |
| *9-02A8E26C | -----02B5C160 | *A-02A8E26D | -----02B5C164 | *B-02A8E26E | -----02B5C167 |
| *C-02A8E26F | -----02B5C172 | *D-02A8E26N | -----02B5C116 | *E-02A8E26P | -----02B5C120 |
| *F-02A8E260 | -----02B5C122 | *G-02A8E26R | -----02B5C126 | *H-02A8E26J | -----02B5C102 |
| *J-02A8E26K | -----02B5C102 | *K-02A8C24B | -----01B8A00Z | *L-02A8E26A | -----02B5C154 |
| *M-02A8E26B | -----02B5C132 | *N-02A8C24M | -----01B8A01D | *P-02A8D25A | -----02B5C129 |
| *O-02A8D25B | -----02B5C132 | *R-02A8F26A | -----02B5C152 | *S-02A8F26B | -----02B5C155 |
| *T-02A8C24E | -----02B5C154 | | | | |

0724323

CONTROL SIGNALS CABLE DRIVE

1401RAM

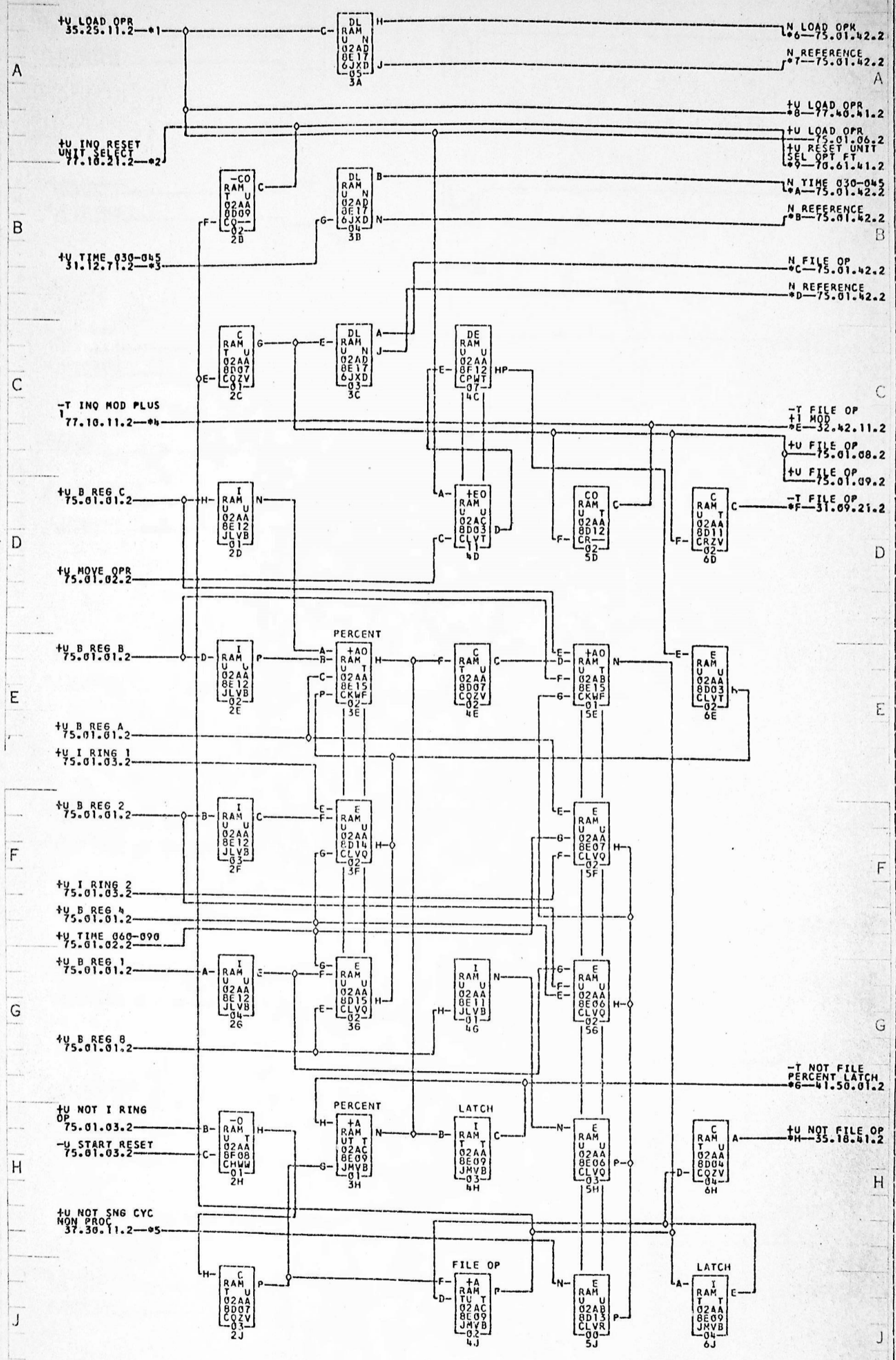
75.01.03.2



- | | | | | | |
|---------------|---------------|---------------|---------------|---------------|---------------|
| *1-02A8F23D | -----02A9F01D | -----01B2B036 | *2-02A8F23K | -----02A0D19F | -----01B2C01N |
| *3-02A8F24N | -----02A0E01A | -----01A2A24E | *4-02A8F23L | -----02A0D17F | -----01B2C01M |
| *5-02A8E230 | *6-02A8F23M | -----02A0D01D | -----01B2A01D | *7-02A8F23N | -----02A0E01E |
| -----01B2A02P | *8-02A8F23J | -----02A0C15D | -----01B2A01A | *9-02A8F23E | -----02A9F07A |
| -----01A2A14K | *A-02A8F23F | -----02A0C11G | -----01B2C01N | *B-02A8F23C | -----02A9F07D |
| -----01B2B03K | *C-02A8F266 | -----02B5C173 | *D-02A8F26H | -----02B5C176 | *E-02A8D250 |
| -----02B5C153 | *F-02A8D25R | -----02B5C156 | *G-02A8D25G | -----02B5C135 | *H-02A8D25H |
| -----02B5C138 | *J-02A8D25J | -----02B5C141 | *K-02A8D25K | -----02B5C144 | *L-02A8E260 |
| -----02B5C217 | *M-02A8F26R | -----02B5C221 | *N-02A8F26L | -----02B5C203 | *P-02A8E26M |
| -----02B5C207 | *O-02A8F26N | -----02B5C211 | *R-02A8F26P | -----02B5C214 | *S-02A8F26E |
| -----02B5C165 | *T-02A8F26F | -----02B5C170 | | | |

COMMENTS
 POSITION 3B SHOWS DECK 2 OF A 4 DECK
 ROTARY SWITCH MOUNTED ON THE CONSOLE
 AND USED FOR RAM AND OR TAPE.
 J P HAMMEL DEPT. 599 OCT. 27 1960

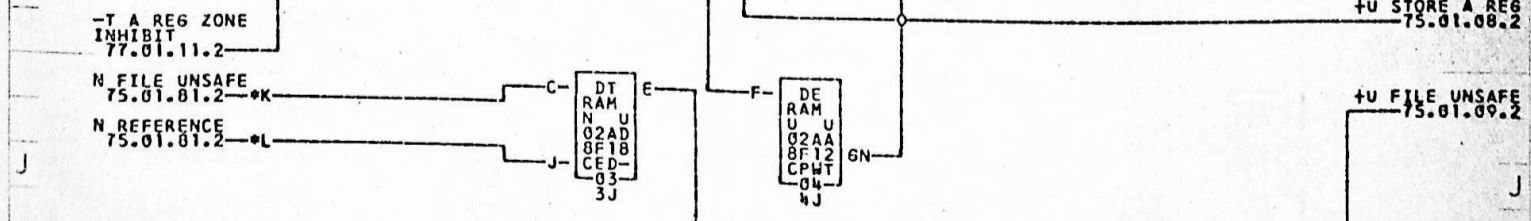
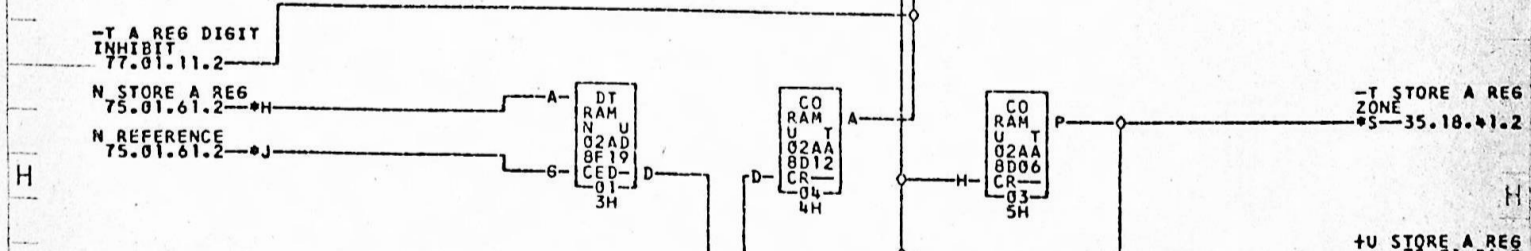
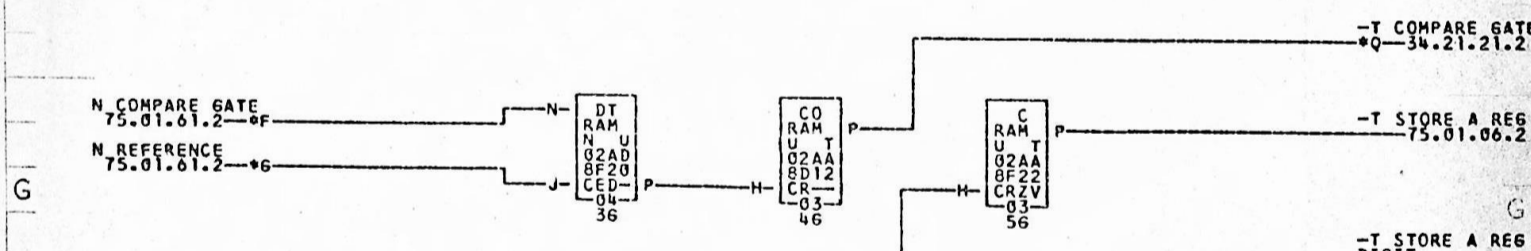
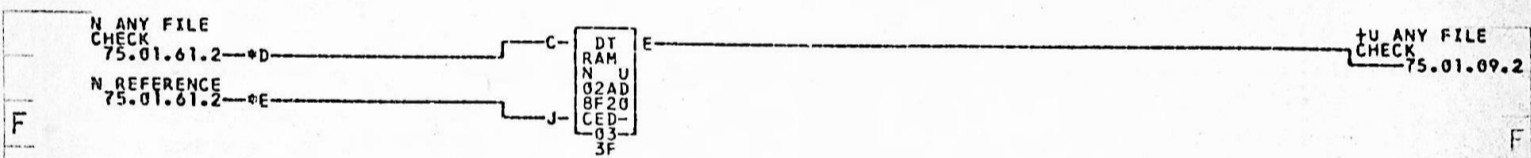
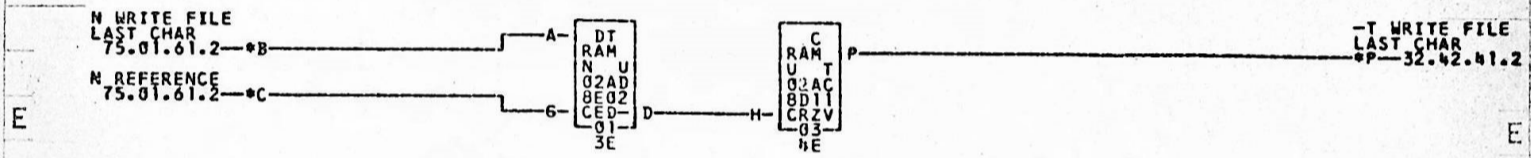
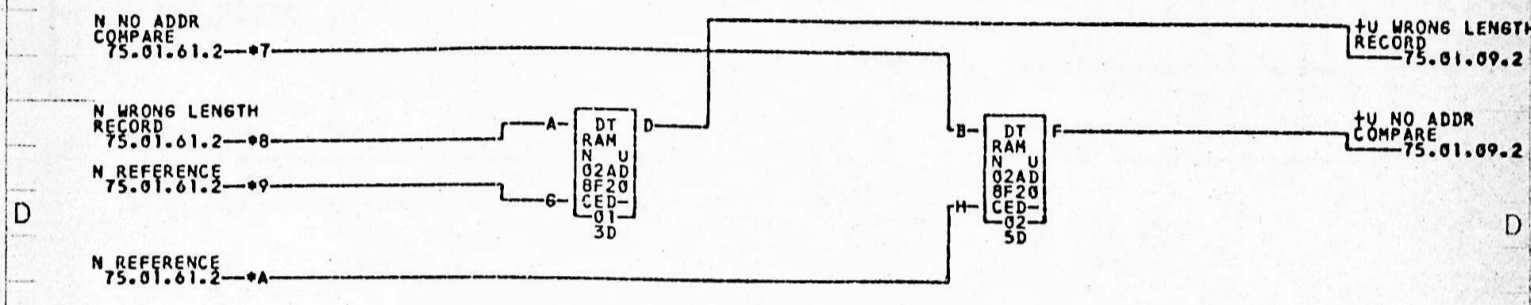
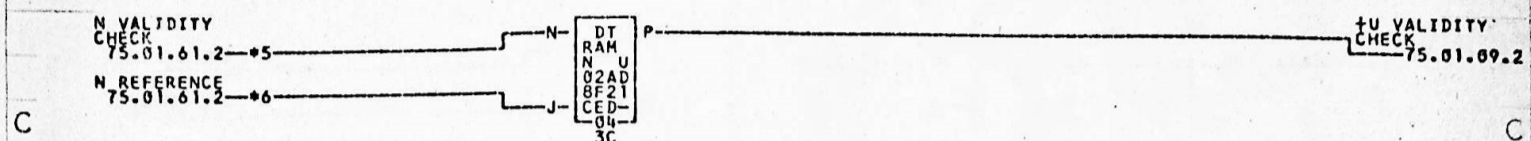
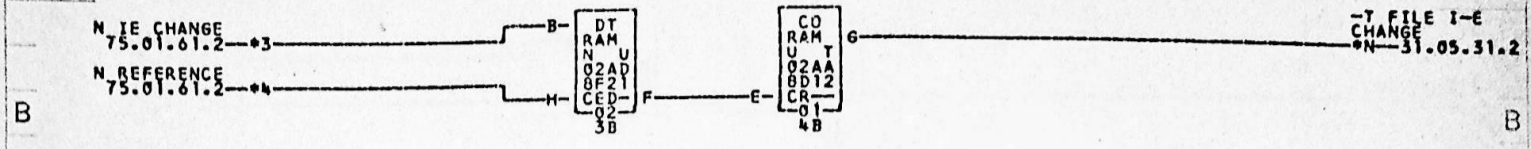
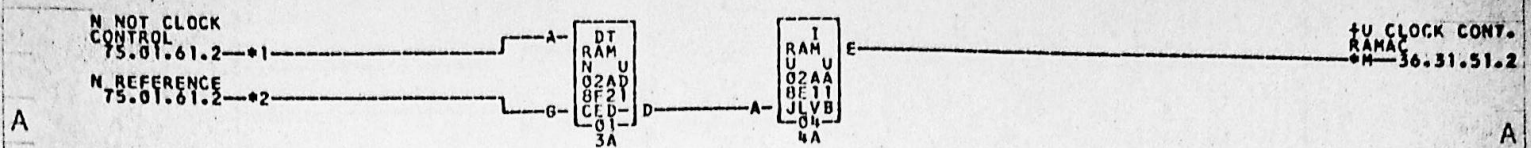
TAG DATE F.C.NO. TAG DATE F.C.NO. TAG DATE F.C.NO. TAG DATE F.C.NO.
 A 06-09-61 110324 B 09-01-61 110324 C 12-06-61 113422 D 03-02-62 116601



- *1—02A8F23B
- 02A0B19E
- 02B5C15B
- 02A0E07B
- *C—02A8E25A
- 01A6F26L
- 02A0F09A
- 02A0F03A
- 01B3E02G
- *7—02A8F26D
- 02A2C23F
- 02B5C101
- *F—02A8F24H
- *H—02A8E24E
- 01B1A03H
- 01B8A0CD
- *4—02B5C162
- *A—02A8E266
- *D—02A8E25B
- 02A9F19C
- 02A9F15B
- *2—01D0A0AP
- 02A8C25R
- *8—02A8C24A
- 02B5C175
- 02B5C194
- 01D2A03R
- 01A3E23P
- 02A8C24A
- *5—02A8C23R
- 01B8A00H
- *B—02A8E26H
- *E—02A8F24K
- *6—02A8F24H
- *3—02A8D23D
- *6—02A8F26C
- *9—02A8E240
- 02B5C178
- 02A9D15A
- 02B6C03L

COMMENTS

TAG DATE E.C.NO. TAG DATE E.C.NO. TAG DATE E.C.NO. TAG DATE E.C.NO.
 A 06-09-61 110324 B 09-01-61 110324 C 12-06-61 113422 D 03-02-62 114601



- | | | | | | |
|-------------|----------|-------------|----------|-------------|----------|
| *1-02A8E25E | 02B5C115 | *2-02A8E25D | 02B5C112 | *3-02A8E256 | 02B5C122 |
| *4-02A8E25H | 02B5C125 | *5-02A8F256 | 02B5C242 | *6-02A8F255 | 02B5C257 |
| *7-02A8F25J | 02B5C248 | *8-02A8F25L | 02B5C254 | *9-02A8F25M | 02B5C259 |
| *A-02A8F25K | 02B5C251 | *B-02A8F25J | 02B5C166 | *C-02A8F25K | 02B5C171 |
| *D-02A8F25E | 02B5C230 | *E-02A8F25F | 02B5C239 | *F-02A8E25R | 02B5C146 |
| *G-02A8E25R | 02B5C149 | *H-02A8E25L | 02B5C134 | *I-02A8E25A | 02B5C137 |
| *K-02A8F25N | 02B5C260 | *L-02A8F25P | 02B5C264 | *M-02A8F25L | 02A9C11A |
| *N-02A8F24F | 02A8D17D | 02A8F25P | 01B2A01M | *O-02A8E24B | 02A9C07F |
| *O-02A8E24B | 02A9D19D | 02A8E24F | 01B6F03N | *P-02A8C23C | 02A9F11B |
| *S-02A8E24D | 02A9F13B | 02A8E24D | 01A3E23N | *R-02A8E24C | |

COMMENTS

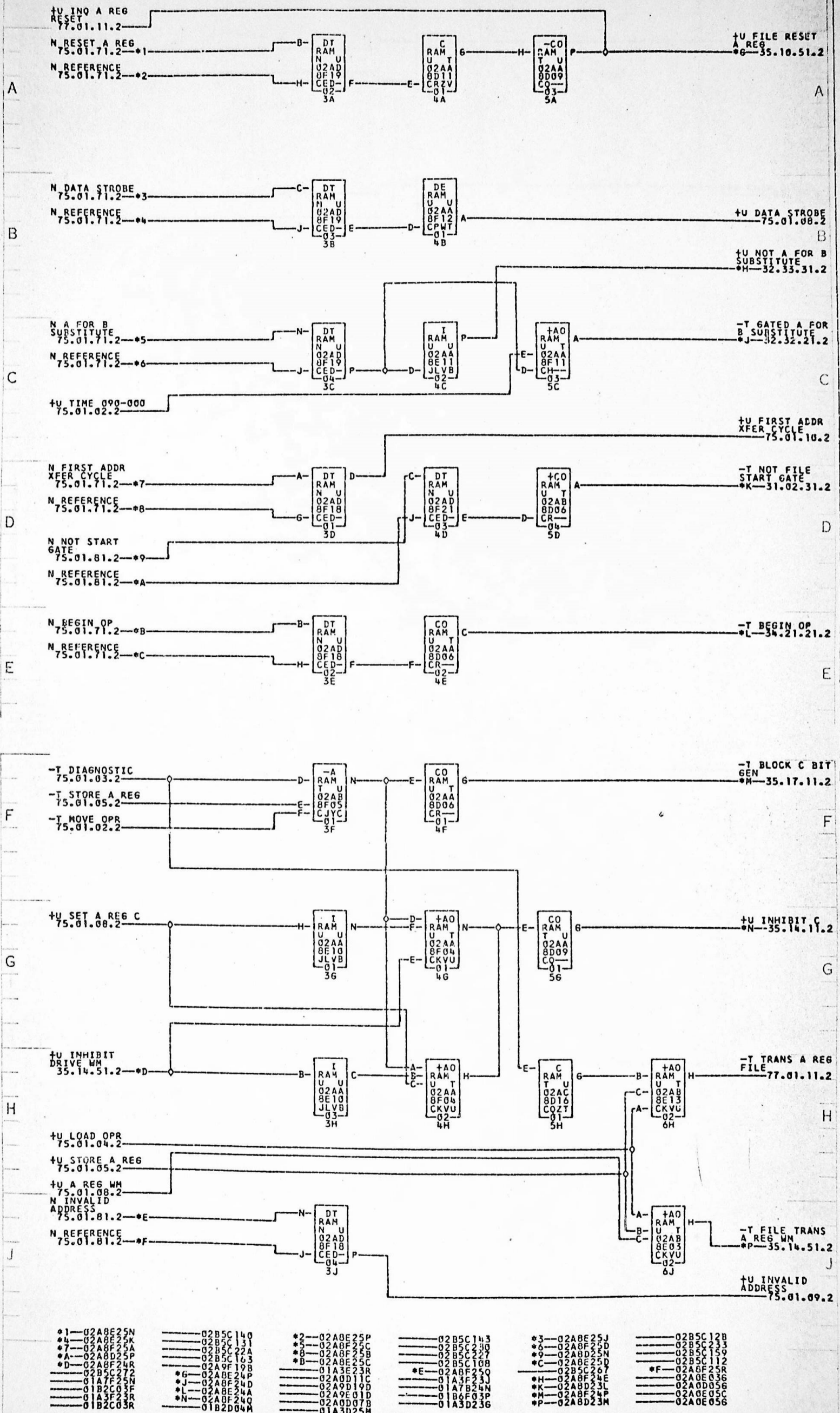
TAG	DATE	E.C.NO.	TAG	DATE	E.C.NO.	TAG	DATE	E.C.NO.	TAG	DATE	E.C.NO.
A	06-09-61	110324	B	09-01-61	1103243	C	11-18-61	112249	D	03-02-62	114601

0724326

CTRL SIGNAL TERMINATION + DIST.

1401RAM

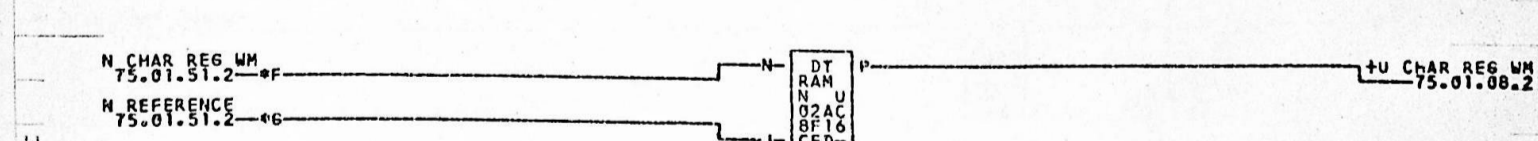
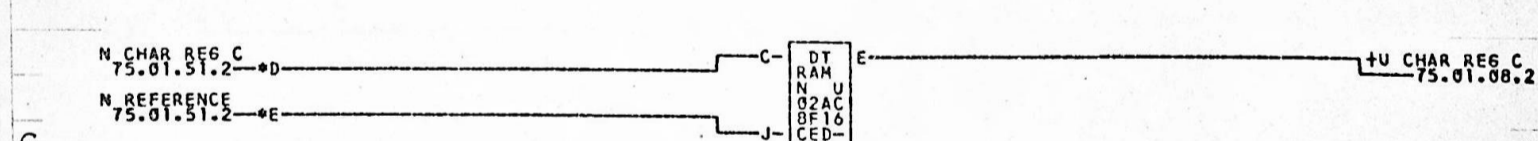
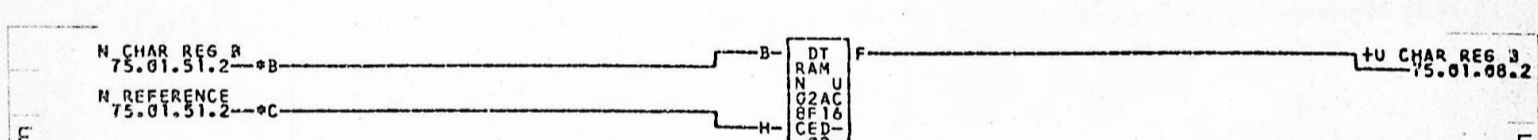
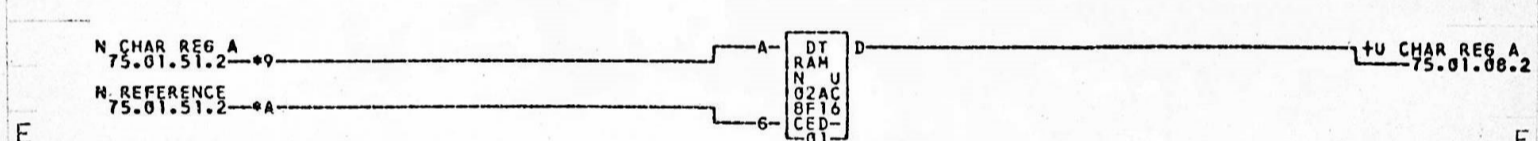
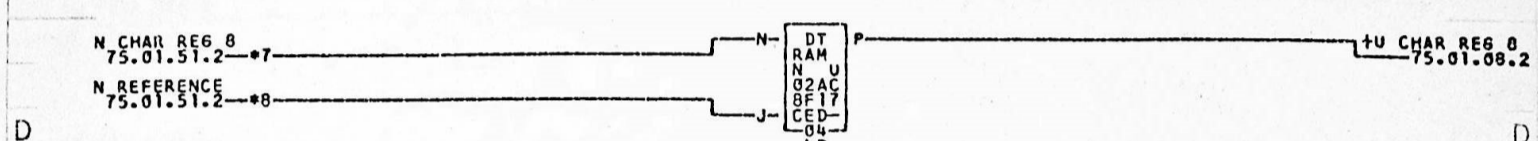
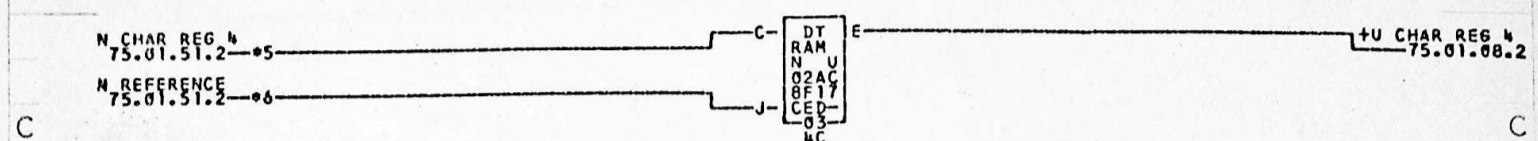
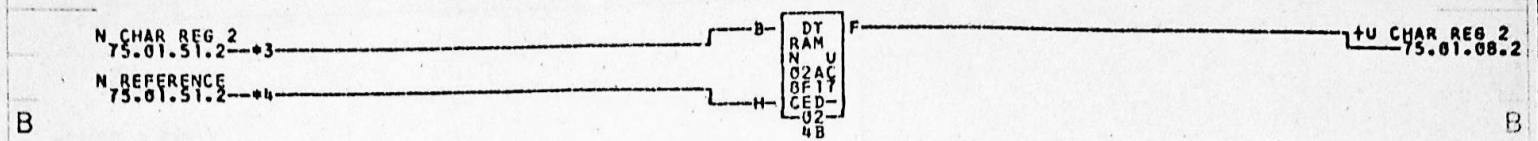
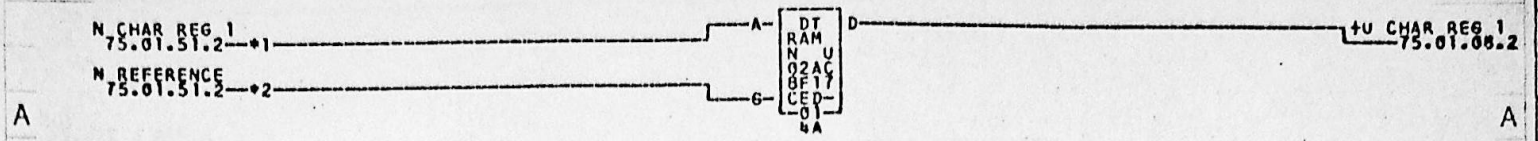
75.01.06.2



- *1-02A8E25N
- *2-02A8E25P
- *3-02A8E25J
- *4-02A8E25K
- *5-02A8E25C
- *6-02A8E25D
- *7-02A8F25A
- *8-02A8F25B
- *9-02A8D25N
- *A-02A8D25A
- *B-02A8E25C
- *C-02A8E25D
- *D-02A8F24R
- *E-02A8F250
- *F-02A8F25R
- *G-02A8E24P
- *H-02A8F24E
- *I-02A8E24D
- *J-02A8E24A
- *K-02A8D23L
- *L-02A8F24Q
- *M-02A8F24P
- *N-02A8F24Q
- 02B5C140
- 02B5C131
- 02B5C22A
- 02B5C163
- 02A9F19B
- 02A8E24P
- 02A8E24D
- 02A8E24A
- 02A8F24Q
- 01B2C03F
- 01A3F23R
- 01B2C03R
- 02B5C143
- 02B5C230
- 02B5C227
- 02B5C10B
- 02A8F250
- 01A3F23J
- 01A7B24N
- 01B6F03P
- 01A3D236
- 02B5C12B
- 02B5C233
- 02B5C159
- 02B5C112
- *F-02A8F25R
- 02A0E036
- 02A0D056
- 02A0E05C
- 02A0E056

COMMENTS

TAG DATE F.C.NO. TAG DATE F.C.NO. TAG DATE F.C.NO. TAG DATE F.C.NO.
 A 06-09-61 110324 B 09-01-61 110324 C 01-31-62 113841 D 03-02-62 114601



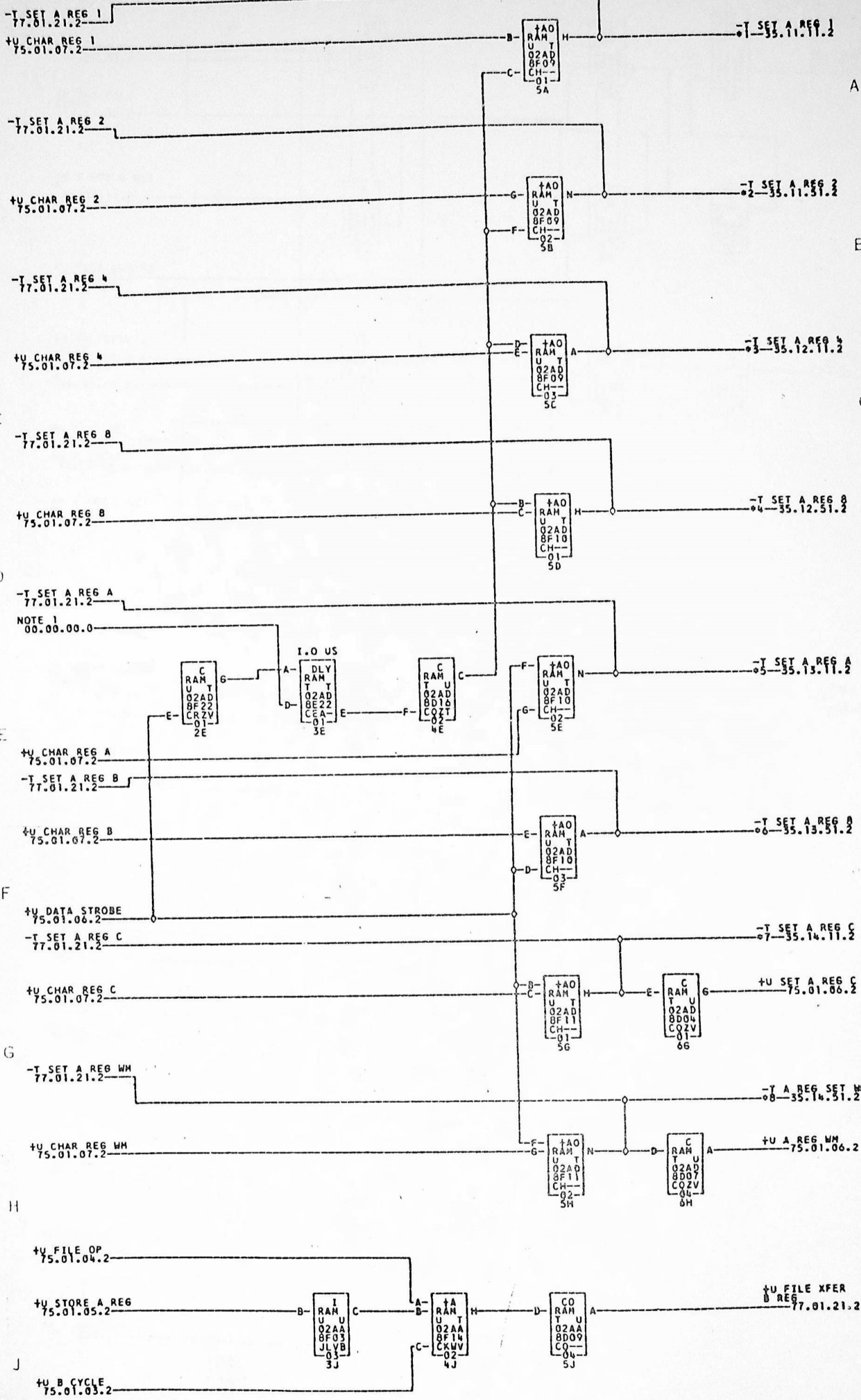
- | | | | | | | | | |
|-------------|-------|----------|-------------|-------|----------|-------------|-------|----------|
| *1-02A8D24A | ===== | 02B5C202 | *2-02A8D24B | ===== | 02B5C205 | *3-02A8D24C | ===== | 02B5C210 |
| *4-02A8D24D | ===== | 02B5C213 | *5-02A8D24E | ===== | 02B5C216 | *6-02A8D24F | ===== | 02B5C220 |
| *7-02A8D24G | ===== | 02B5C223 | *8-02A8D24H | ===== | 02B5C226 | *9-02A8D24J | ===== | 02B5C229 |
| *A-02A8D24K | ===== | 02B5C232 | *B-02A8D24L | ===== | 02B5C235 | *C-02A8D24M | ===== | 02B5C228 |
| *D-02A8D24N | ===== | 02B5C241 | *E-02A8D24P | ===== | 02B5C244 | *F-02A8D24Q | ===== | 02B5C247 |
| *6-02A8D24R | ===== | 02B5C250 | | | | | | |

0724328

A REGISTER SET

1401RAM

75.01.08.2



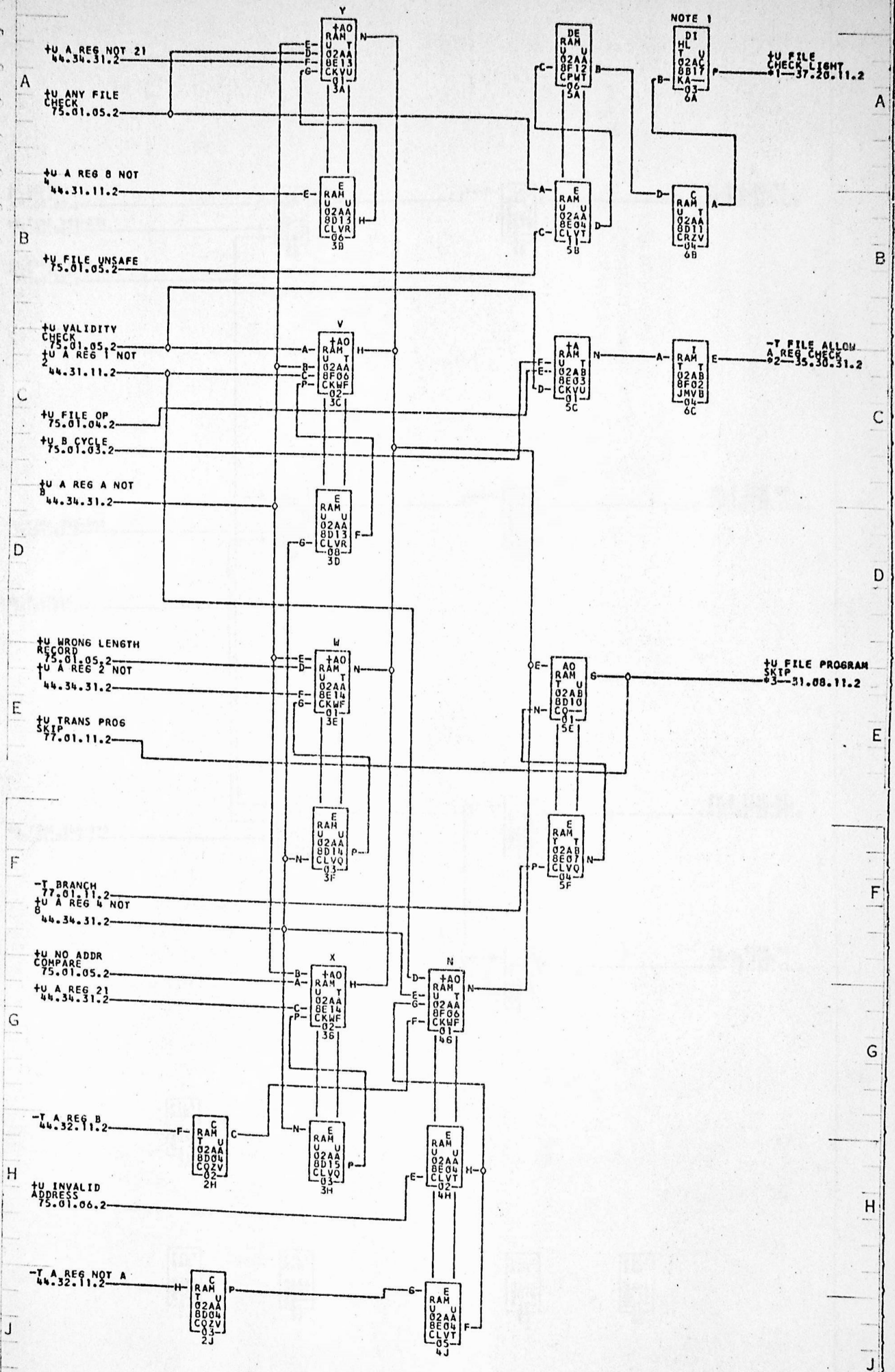
- *1--02ABE24F
- *2--02ABE246
- *3--02AOC16C
- *4--02ABE24J
- *5--02AOC20C
- *6--02ABE24L
- *7--02ABE24M
- *8--02ABE24N
- 02AOC18C
- 02AOC20C
- 02AOC22C
- 02AOC24C
- 02AOC26C
- 02AOC28C
- 02AOC30C
- 02AOC32C
- 02AOC34C
- 02AOC36C
- 02AOC38C
- 02AOC40C
- 02AOC42C
- 02AOC44C
- 02AOC46C
- 02AOC48C
- 02AOC50C
- 02AOC52C
- 02AOC54C
- 02AOC56C
- 02AOC58C
- 02AOC60C
- 02AOC62C
- 02AOC64C
- 02AOC66C
- 02AOC68C
- 02AOC70C
- 02AOC72C
- 02AOC74C
- 02AOC76C
- 02AOC78C
- 02AOC80C
- 02AOC82C
- 02AOC84C
- 02AOC86C
- 02AOC88C
- 02AOC90C
- 02AOC92C
- 02AOC94C
- 02AOC96C
- 02AOC98C
- 02AOC100C
- 02AOC102C
- 02AOC104C
- 02AOC106C
- 02AOC108C
- 02AOC110C
- 02AOC112C
- 02AOC114C
- 02AOC116C
- 02AOC118C
- 02AOC120C
- 02AOC122C
- 02AOC124C
- 02AOC126C
- 02AOC128C
- 02AOC130C
- 02AOC132C
- 02AOC134C
- 02AOC136C
- 02AOC138C
- 02AOC140C
- 02AOC142C
- 02AOC144C
- 02AOC146C
- 02AOC148C
- 02AOC150C
- 02AOC152C
- 02AOC154C
- 02AOC156C
- 02AOC158C
- 02AOC160C
- 02AOC162C
- 02AOC164C
- 02AOC166C
- 02AOC168C
- 02AOC170C
- 02AOC172C
- 02AOC174C
- 02AOC176C
- 02AOC178C
- 02AOC180C
- 02AOC182C
- 02AOC184C
- 02AOC186C
- 02AOC188C
- 02AOC190C
- 02AOC192C
- 02AOC194C
- 02AOC196C
- 02AOC198C
- 02AOC200C
- 02AOC202C
- 02AOC204C
- 02AOC206C
- 02AOC208C
- 02AOC210C
- 02AOC212C
- 02AOC214C
- 02AOC216C
- 02AOC218C
- 02AOC220C
- 02AOC222C
- 02AOC224C
- 02AOC226C
- 02AOC228C
- 02AOC230C
- 02AOC232C
- 02AOC234C
- 02AOC236C
- 02AOC238C
- 02AOC240C
- 02AOC242C
- 02AOC244C
- 02AOC246C
- 02AOC248C
- 02AOC250C
- 02AOC252C
- 02AOC254C
- 02AOC256C
- 02AOC258C
- 02AOC260C
- 02AOC262C
- 02AOC264C
- 02AOC266C
- 02AOC268C
- 02AOC270C
- 02AOC272C
- 02AOC274C
- 02AOC276C
- 02AOC278C
- 02AOC280C
- 02AOC282C
- 02AOC284C
- 02AOC286C
- 02AOC288C
- 02AOC290C
- 02AOC292C
- 02AOC294C
- 02AOC296C
- 02AOC298C
- 02AOC300C
- 02AOC302C
- 02AOC304C
- 02AOC306C
- 02AOC308C
- 02AOC310C
- 02AOC312C
- 02AOC314C
- 02AOC316C
- 02AOC318C
- 02AOC320C
- 02AOC322C
- 02AOC324C
- 02AOC326C
- 02AOC328C
- 02AOC330C
- 02AOC332C
- 02AOC334C
- 02AOC336C
- 02AOC338C
- 02AOC340C
- 02AOC342C
- 02AOC344C
- 02AOC346C
- 02AOC348C
- 02AOC350C
- 02AOC352C
- 02AOC354C
- 02AOC356C
- 02AOC358C
- 02AOC360C
- 02AOC362C
- 02AOC364C
- 02AOC366C
- 02AOC368C
- 02AOC370C
- 02AOC372C
- 02AOC374C
- 02AOC376C
- 02AOC378C
- 02AOC380C
- 02AOC382C
- 02AOC384C
- 02AOC386C
- 02AOC388C
- 02AOC390C
- 02AOC392C
- 02AOC394C
- 02AOC396C
- 02AOC398C
- 02AOC400C
- 02AOC402C
- 02AOC404C
- 02AOC406C
- 02AOC408C
- 02AOC410C
- 02AOC412C
- 02AOC414C
- 02AOC416C
- 02AOC418C
- 02AOC420C
- 02AOC422C
- 02AOC424C
- 02AOC426C
- 02AOC428C
- 02AOC430C
- 02AOC432C
- 02AOC434C
- 02AOC436C
- 02AOC438C
- 02AOC440C
- 02AOC442C
- 02AOC444C
- 02AOC446C
- 02AOC448C
- 02AOC450C
- 02AOC452C
- 02AOC454C
- 02AOC456C
- 02AOC458C
- 02AOC460C
- 02AOC462C
- 02AOC464C
- 02AOC466C
- 02AOC468C
- 02AOC470C
- 02AOC472C
- 02AOC474C
- 02AOC476C
- 02AOC478C
- 02AOC480C
- 02AOC482C
- 02AOC484C
- 02AOC486C
- 02AOC488C
- 02AOC490C
- 02AOC492C
- 02AOC494C
- 02AOC496C
- 02AOC498C
- 02AOC500C
- 02AOC502C
- 02AOC504C
- 02AOC506C
- 02AOC508C
- 02AOC510C
- 02AOC512C
- 02AOC514C
- 02AOC516C
- 02AOC518C
- 02AOC520C
- 02AOC522C
- 02AOC524C
- 02AOC526C
- 02AOC528C
- 02AOC530C
- 02AOC532C
- 02AOC534C
- 02AOC536C
- 02AOC538C
- 02AOC540C
- 02AOC542C
- 02AOC544C
- 02AOC546C
- 02AOC548C
- 02AOC550C
- 02AOC552C
- 02AOC554C
- 02AOC556C
- 02AOC558C
- 02AOC560C
- 02AOC562C
- 02AOC564C
- 02AOC566C
- 02AOC568C
- 02AOC570C
- 02AOC572C
- 02AOC574C
- 02AOC576C
- 02AOC578C
- 02AOC580C
- 02AOC582C
- 02AOC584C
- 02AOC586C
- 02AOC588C
- 02AOC590C
- 02AOC592C
- 02AOC594C
- 02AOC596C
- 02AOC598C
- 02AOC600C
- 02AOC602C
- 02AOC604C
- 02AOC606C
- 02AOC608C
- 02AOC610C
- 02AOC612C
- 02AOC614C
- 02AOC616C
- 02AOC618C
- 02AOC620C
- 02AOC622C
- 02AOC624C
- 02AOC626C
- 02AOC628C
- 02AOC630C
- 02AOC632C
- 02AOC634C
- 02AOC636C
- 02AOC638C
- 02AOC640C
- 02AOC642C
- 02AOC644C
- 02AOC646C
- 02AOC648C
- 02AOC650C
- 02AOC652C
- 02AOC654C
- 02AOC656C
- 02AOC658C
- 02AOC660C
- 02AOC662C
- 02AOC664C
- 02AOC666C
- 02AOC668C
- 02AOC670C
- 02AOC672C
- 02AOC674C
- 02AOC676C
- 02AOC678C
- 02AOC680C
- 02AOC682C
- 02AOC684C
- 02AOC686C
- 02AOC688C
- 02AOC690C
- 02AOC692C
- 02AOC694C
- 02AOC696C
- 02AOC698C
- 02AOC700C
- 02AOC702C
- 02AOC704C
- 02AOC706C
- 02AOC708C
- 02AOC710C
- 02AOC712C
- 02AOC714C
- 02AOC716C
- 02AOC718C
- 02AOC720C
- 02AOC722C
- 02AOC724C
- 02AOC726C
- 02AOC728C
- 02AOC730C
- 02AOC732C
- 02AOC734C
- 02AOC736C
- 02AOC738C
- 02AOC740C
- 02AOC742C
- 02AOC744C
- 02AOC746C
- 02AOC748C
- 02AOC750C
- 02AOC752C
- 02AOC754C
- 02AOC756C
- 02AOC758C
- 02AOC760C
- 02AOC762C
- 02AOC764C
- 02AOC766C
- 02AOC768C
- 02AOC770C
- 02AOC772C
- 02AOC774C
- 02AOC776C
- 02AOC778C
- 02AOC780C
- 02AOC782C
- 02AOC784C
- 02AOC786C
- 02AOC788C
- 02AOC790C
- 02AOC792C
- 02AOC794C
- 02AOC796C
- 02AOC798C
- 02AOC800C
- 02AOC802C
- 02AOC804C
- 02AOC806C
- 02AOC808C
- 02AOC810C
- 02AOC812C
- 02AOC814C
- 02AOC816C
- 02AOC818C
- 02AOC820C
- 02AOC822C
- 02AOC824C
- 02AOC826C
- 02AOC828C
- 02AOC830C
- 02AOC832C
- 02AOC834C
- 02AOC836C
- 02AOC838C
- 02AOC840C
- 02AOC842C
- 02AOC844C
- 02AOC846C
- 02AOC848C
- 02AOC850C
- 02AOC852C
- 02AOC854C
- 02AOC856C
- 02AOC858C
- 02AOC860C
- 02AOC862C
- 02AOC864C
- 02AOC866C
- 02AOC868C
- 02AOC870C
- 02AOC872C
- 02AOC874C
- 02AOC876C
- 02AOC878C
- 02AOC880C
- 02AOC882C
- 02AOC884C
- 02AOC886C
- 02AOC888C
- 02AOC890C
- 02AOC892C
- 02AOC894C
- 02AOC896C
- 02AOC898C
- 02AOC900C
- 02AOC902C
- 02AOC904C
- 02AOC906C
- 02AOC908C
- 02AOC910C
- 02AOC912C
- 02AOC914C
- 02AOC916C
- 02AOC918C
- 02AOC920C
- 02AOC922C
- 02AOC924C
- 02AOC926C
- 02AOC928C
- 02AOC930C
- 02AOC932C
- 02AOC934C
- 02AOC936C
- 02AOC938C
- 02AOC940C
- 02AOC942C
- 02AOC944C
- 02AOC946C
- 02AOC948C
- 02AOC950C
- 02AOC952C
- 02AOC954C
- 02AOC956C
- 02AOC958C
- 02AOC960C
- 02AOC962C
- 02AOC964C
- 02AOC966C
- 02AOC968C
- 02AOC970C
- 02AOC972C
- 02AOC974C
- 02AOC976C
- 02AOC978C
- 02AOC980C
- 02AOC982C
- 02AOC984C
- 02AOC986C
- 02AOC988C
- 02AOC990C
- 02AOC992C
- 02AOC994C
- 02AOC996C
- 02AOC998C
- 02AOC1000C

NOTE 1 E22D TIED TO E21K

COMMENTS

TAG DATE E.C.NO. TAG DATE E.C.NO. TAG DATE E.C.NO. TAG DATE E.C.NO.

A 06-09-61 110324 B 09-01-61 110324 C 12-08-61 115422 D 01-31-62 113047



NOTE 1

+U FILE CHECK LIGHT #1-37.20.11.2

-T FILE ALLOW A REG CHECK #2-35.30.31.2

+U FILE PROGRAM SKIP #3-31.08.11.2

- *1-02A8F24B 02A8E03A 01A2A160
- *3-02A8F24J 02A8E01F 01B2C01P *2-02A8D23K 02A8B09F 01B4C01A

NOTE 1 TIE BITB TO BITL ON MACH. #40
 COMMENTS
 RAMAC WITH HI-LOW

TAG	DATE	E.C.NO.	TAG	DATE	E.C.NO.	TAG	DATE	E.C.NO.	TAG	DATE	E.C.NO.
A	06-09-61	110324	B	09-01-61	110325	C	12-06-61	113422			

0724330

FIRST ADDRESS TRANSFER

1401RAM

75.01.10.2

A
B
C
D
E
F
G
H
J

A
B
C
D
E
F
G
H
J

+U DELTA
B CYCLE
75.01.03.2

+U TIME 000-030
75.01.02.2

+U FIRST ADDR
XFER CYCLE
75.01.06.2

+U TIME 030-060
75.01.02.2

+U B CYCLE
75.01.03.2

+U TIME 060-090
75.01.02.2



*1-02ABF24A
*3-02ABF24C

02A9B19B
02A9C03B

01A7B24K
01A7B24H

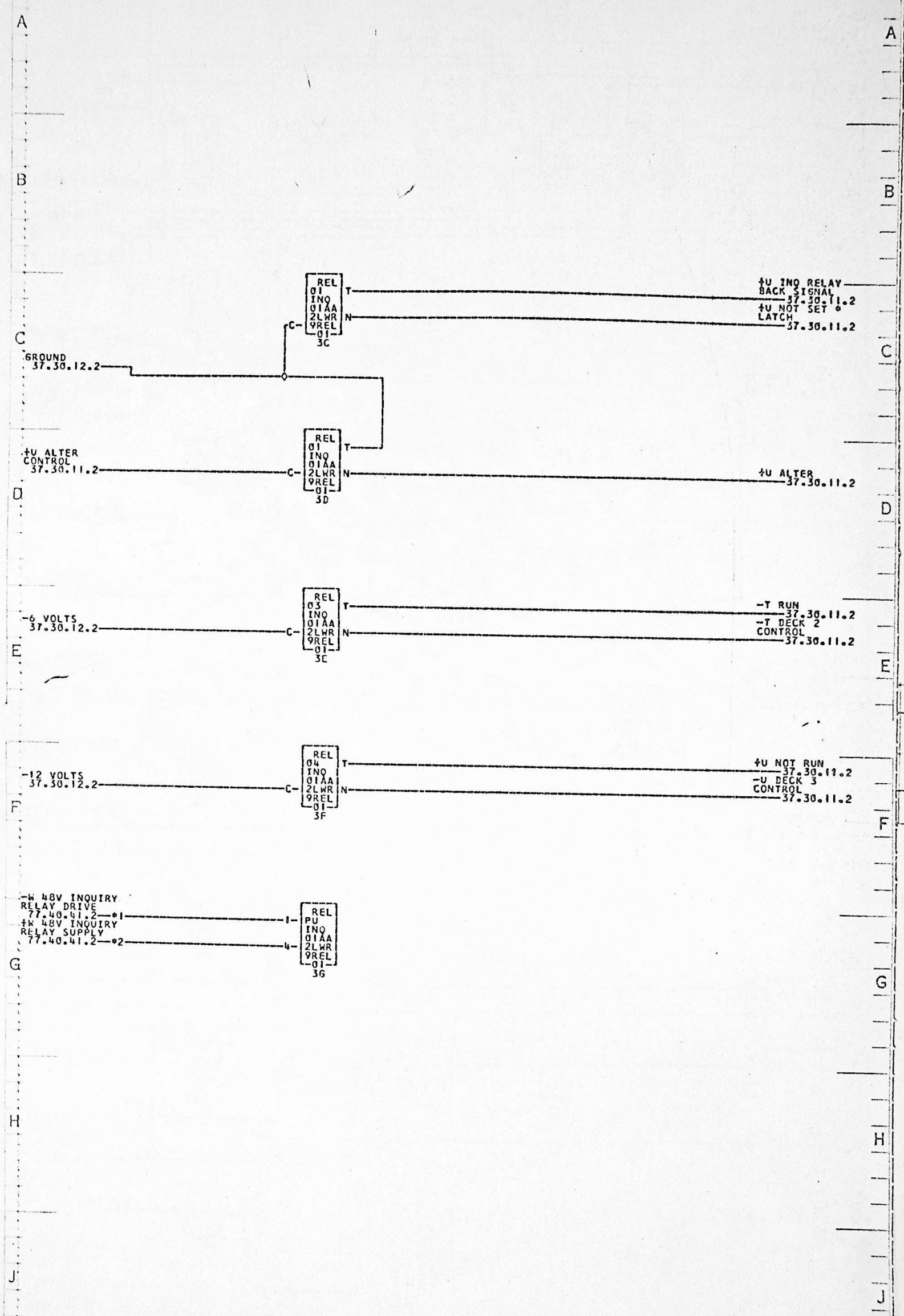
*2-02ABF24B
*4-02ABF23B

02A9C01B
02A9C01E

01A7B24L
01A9E26L

COMMENTS

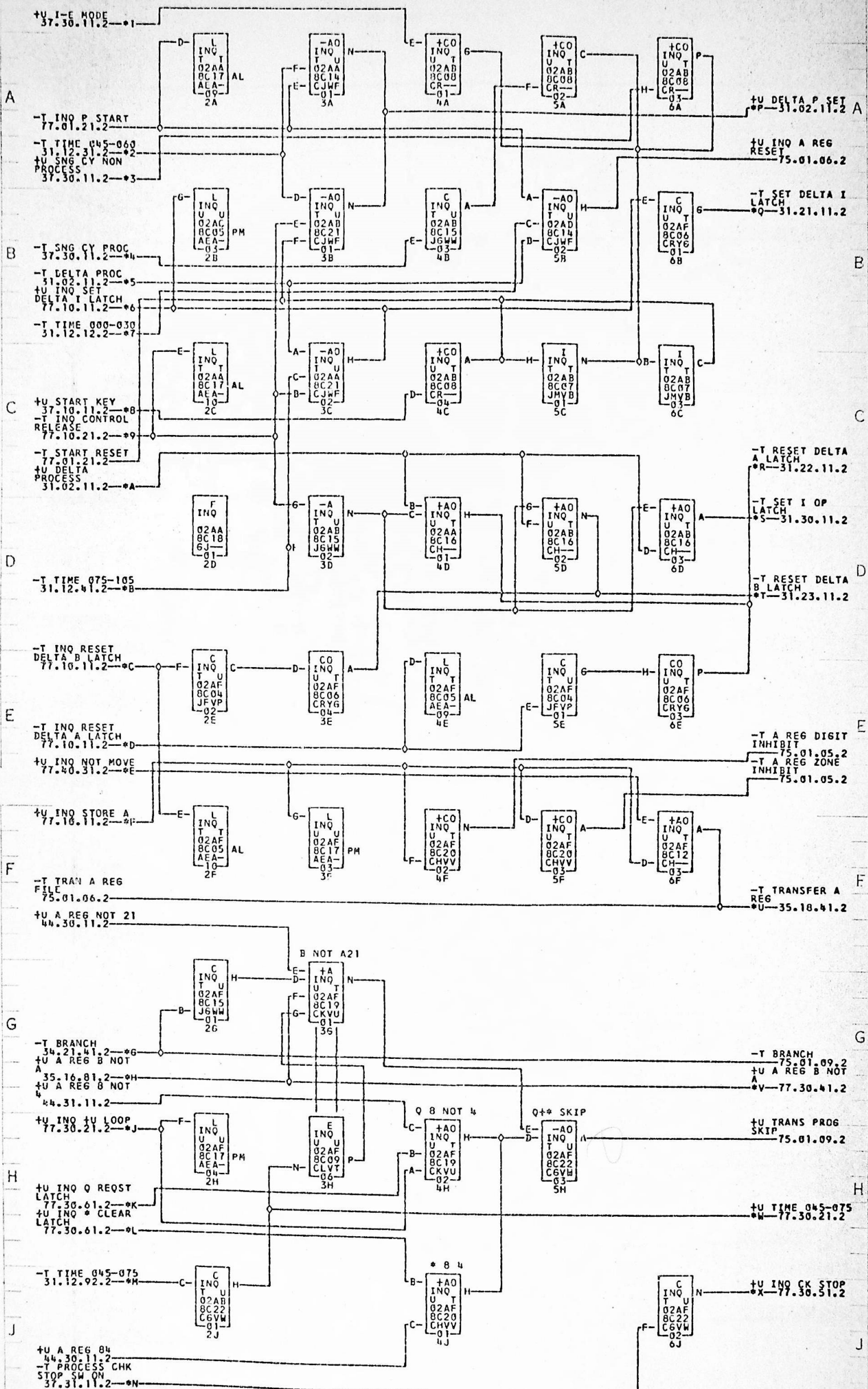
TAG DATE E.C.NO. TAG DATE E.C.NO. TAG DATE E.C.NO. TAG DATE E.C.NO.
A 06-09-61 110324 B 09-01-61 110324 C 01-31-62 113841



#1-01BBA0BA 01A2A23H #2-01BBA0AS 01A2A23J

COMMENTS

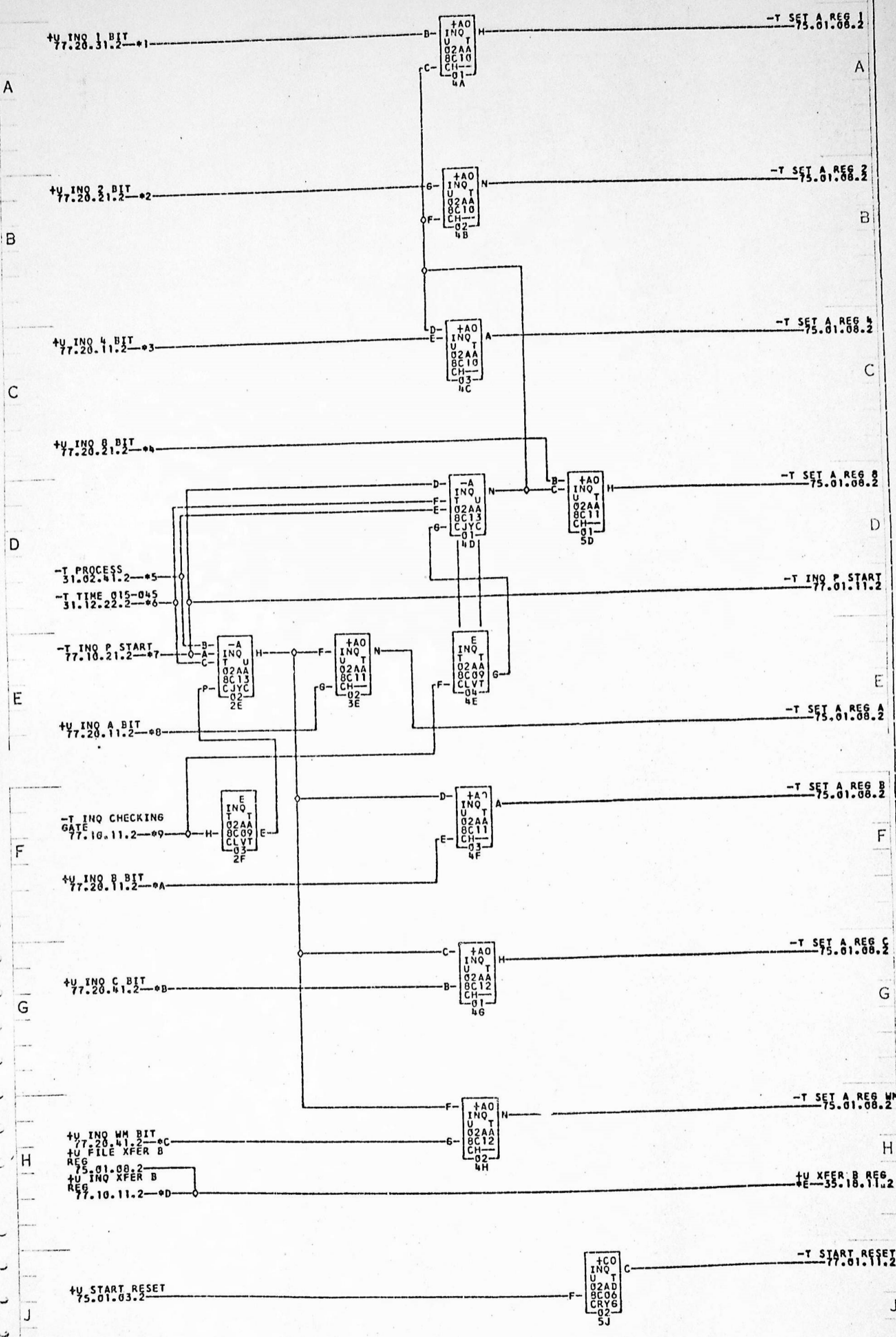
TAG	DATE	E.C.NO.	TAG	DATE	E.C.NO.	TAG	DATE	E.C.NO.	TAG	DATE	E.C.NO.
A	06-12-61	110320X									



- *1--02ABC24Q
- *2--02ABC23E
- *3--02ABC24P
- *4--02ABC24N
- *5--02ABC23L
- *6--01B8A03M
- *7--02ABC24H
- *8--02ABC24R
- *9--01B8A00B
- *A--02ABC24G
- *B--02ABC23F
- *C--01B8A04U
- *D--01B8A00E
- *E--01B8A04Y
- *F--02ABC246
- *G--02ABC23K
- *H--02ABC23J
- *I--01B8A00V
- *J--02ABC25A
- *K--02ABC236
- *L--01B8A00N
- *M--01B2F05A
- *N--02ABC24P
- *O--02ABC236
- *P--02ABC25A
- *Q--01B2F05N
- *R--02ABC230
- *S--02ABC26L
- *T--02ABC25B
- *U--02ABC23N
- *V--02ABC25D
- *W--02ABC24C
- *X--02ABC25C
- *Y--02ABC24R
- *Z--02ABC25E
- *AA--02ABC24M
- *AB--02ABC246
- *AC--02A0D196
- *AD--01B2A02A
- *AE--02A9F09B
- *AF--02ABC25C

COMMENTS

TAG	DATE	E.C.NO.	TAG	DATE	E.C.NO.	TAG	DATE	E.C.NO.	TAG	DATE	E.C.NO.
A	06-09-61	110324	B	09-01-61	1103243	C	10-24-61	112245	D	12-06-61	113422
E	12-08-61	113526	F	03-02-62	114601						

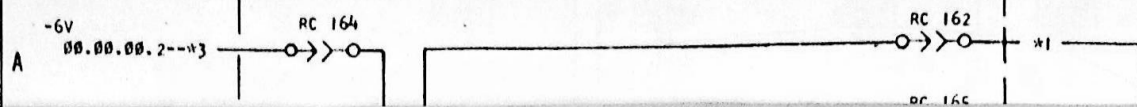


- | | | | | | |
|-------------|----------------|-------------|----------------|-------------|----------------|
| *1—01B8A00A | ===== 02ABC26A | *2—01B8A00E | ===== 02ABC26B | *3—01B8A00U | ===== 02ABC26C |
| *4—01B8A0AD | ===== 02ABC26D | *5—02ABC23A | *6—02ABC23B | *7—01B8A0BB | ===== 02ABC26J |
| *8—01B8A0AH | ===== 02ABC26E | *9—01B8A0BN | ===== 02ABC24J | *A—01B8A0AY | ===== 02ABC26F |
| *B—01B8A0BF | ===== 02ABC26S | *C—01B8A0BE | ===== 02ABC26H | *D—01B8A0AJ | ===== 02ABC25Q |
| *E—02A0C23P | ===== 02A9F05B | *C—01A3E23J | | | |

COMMENTS

TAG DATE	E.C.NO.	TAG DATE	E.C.NO.	TAG DATE	E.C.NO.	TAG DATE	E.C.NO.
A 06-09-61	110324	B 09-01-61	110324S	C 09-11-61	110324U	D 03-02-62	114601

REFERENCE LOCATION ON 1402



ENGINEERING SPECIFICATIONS

FORM 624-7104-0

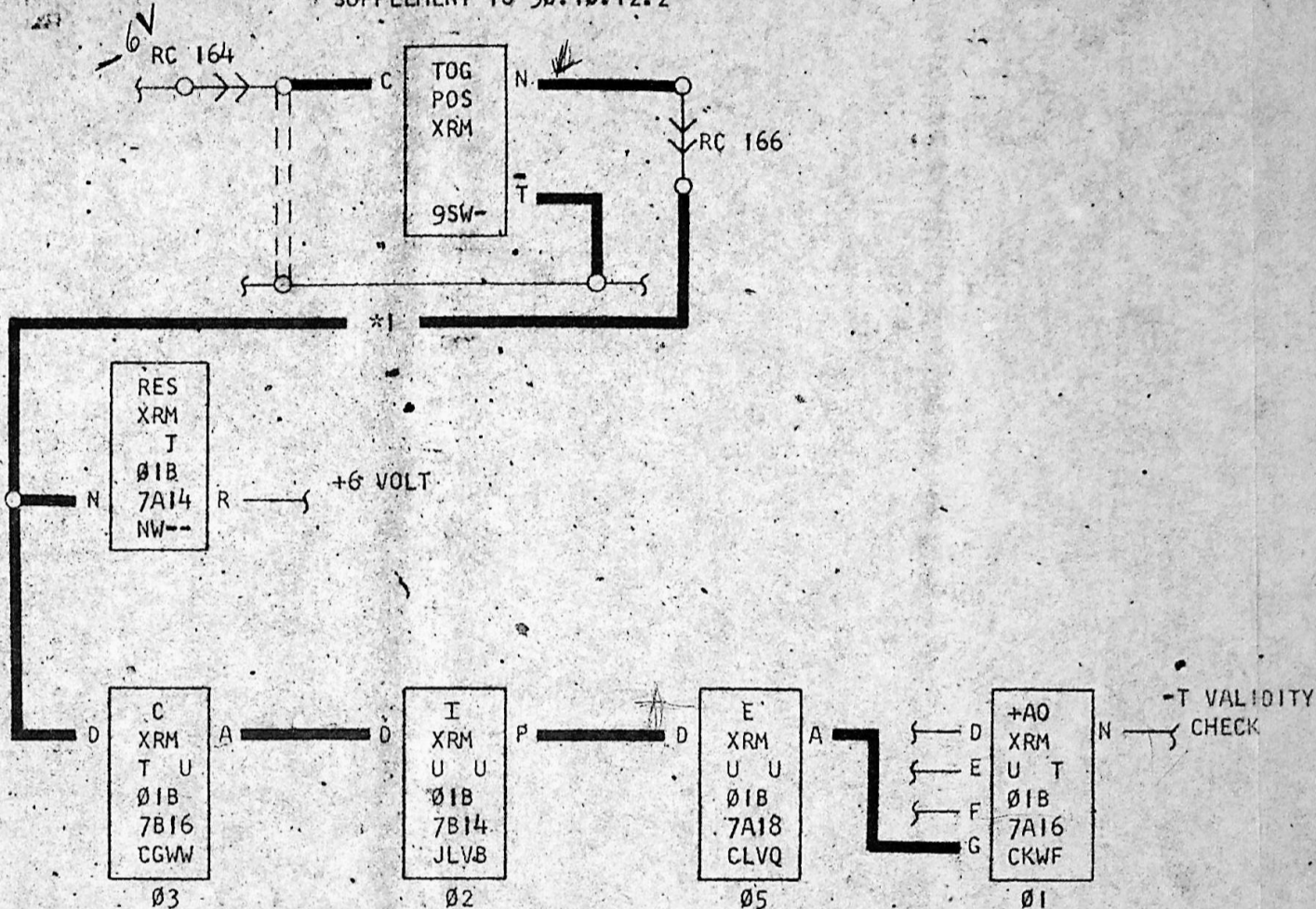
No. 880669

NAME	WHERE USED	TECH. SERVICES APPROVAL	MADE BY	APPD. BY	SHEET
					3
		DATE	DATE PREPARED		OF
					3

REFERENCE

FIG. DRAWING

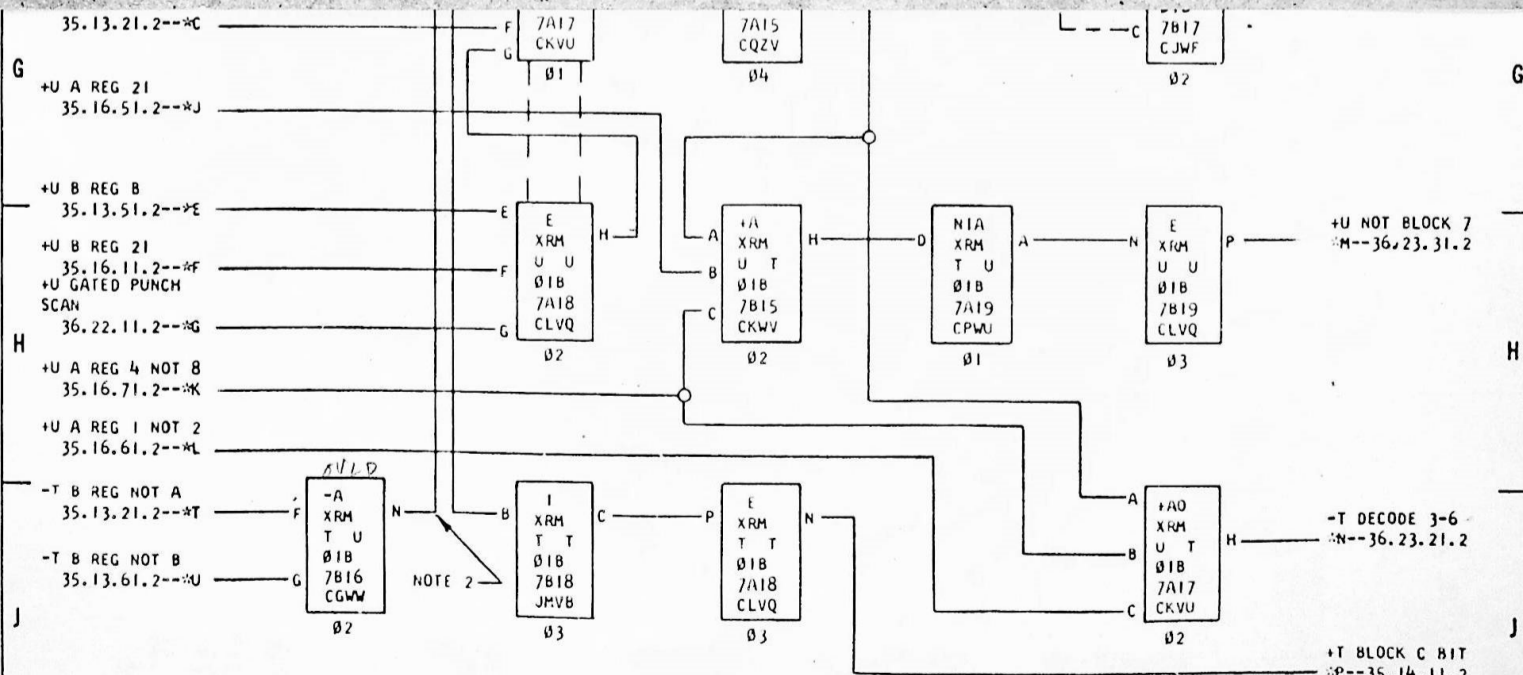
SUPPLEMENT TO 98.10.12.2



*1--01B4 C02Q

-T VALIDITY CHECK

ENG. CHANGE NO.	DATE	11-17-62								DATE TYPED	1-14-63	MAS
-----------------	------	----------	--	--	--	--	--	--	--	------------	---------	-----

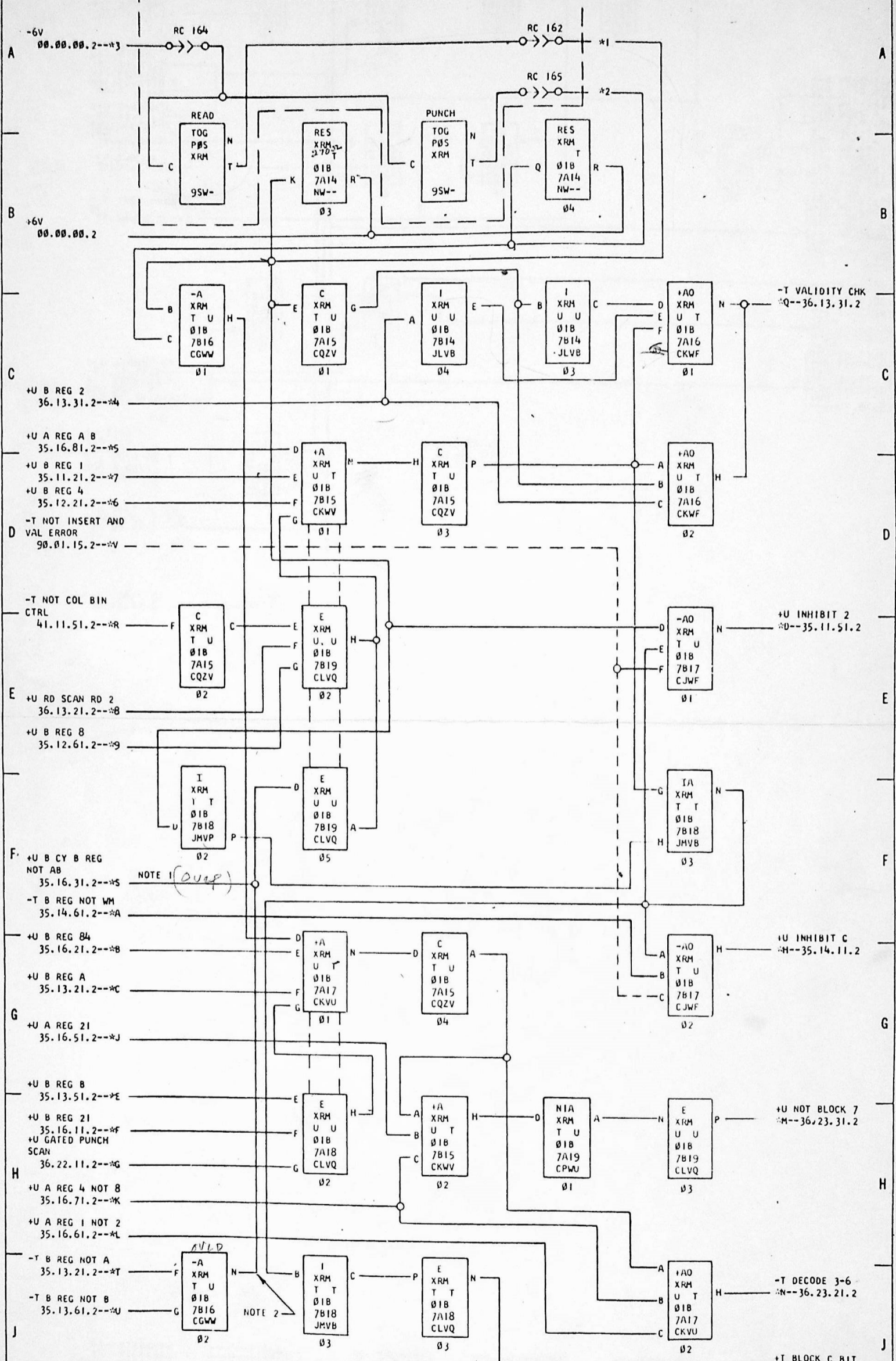


- *1--01B7 E04A--01B4 C02L
- *2--01B7 E04B--01B4 C02P
- *3--01B4 C02N
- *4--01B7 E040--01B4 A01K
- *5--01B7 B03C
- *6--01B7 A03D
- *7--01B7 E04E--01B4 A01J
- *8--01B7 E04F--01B4 A03C
- *9--01B7 C03B
- *A--01B7 E04H--01A3 A26M
- *B--01B7 A03K
- *C--01B7 E04J--01A3 E24E
- *D--01B7 E04G--01A3 D23E
- *E--01B7 E04M--01A3 B09H
- *F--01B7 A03L
- *G--01B7 E04K--01B4 F03P
- *H--01B7 A03M
- *I--01B7 B03B
- *L--01B7 A03P
- *J--01B7 A03R
- *K--01B7 B03A
- *M--01B7 C03C
- *N--01B7 C04N
- *P--01B7 E04N--01A3 E17G
- *Q--01B7 E04C--01B4 E07N
- *R--01B7 D01M
- *S--01B7 E04P--01A3 E25H
- *T--01B7 A03M
- *U--01B7 C03A
- *V--01B7 B17C--01A4 F05G

Col Bin
 USED IN 880156. FOR SYSTEMS WITH COLUMN BINARY FEATURE ADD:
 D01M A15F, A15C B19E
 FOR SYSTEMS WITH CHARACTER INSERT FEATURE ADD:
 WIRING SHOWN DOTTED
 NOTE 1: NOT WIRED FOR OVERLAP FEATURE.
 NOTE 2: WIRING FOR OVERLAP FEATURE.

DATE	EC NO	DATE	EC NO	DATE	EC NO
9-25-61	199754	12-5-61	192407	12-29-61	192429
2-23-62	192537	7-11-62	192722	7-5-62	192719
11-17-62	192813	5-7-63	193025		

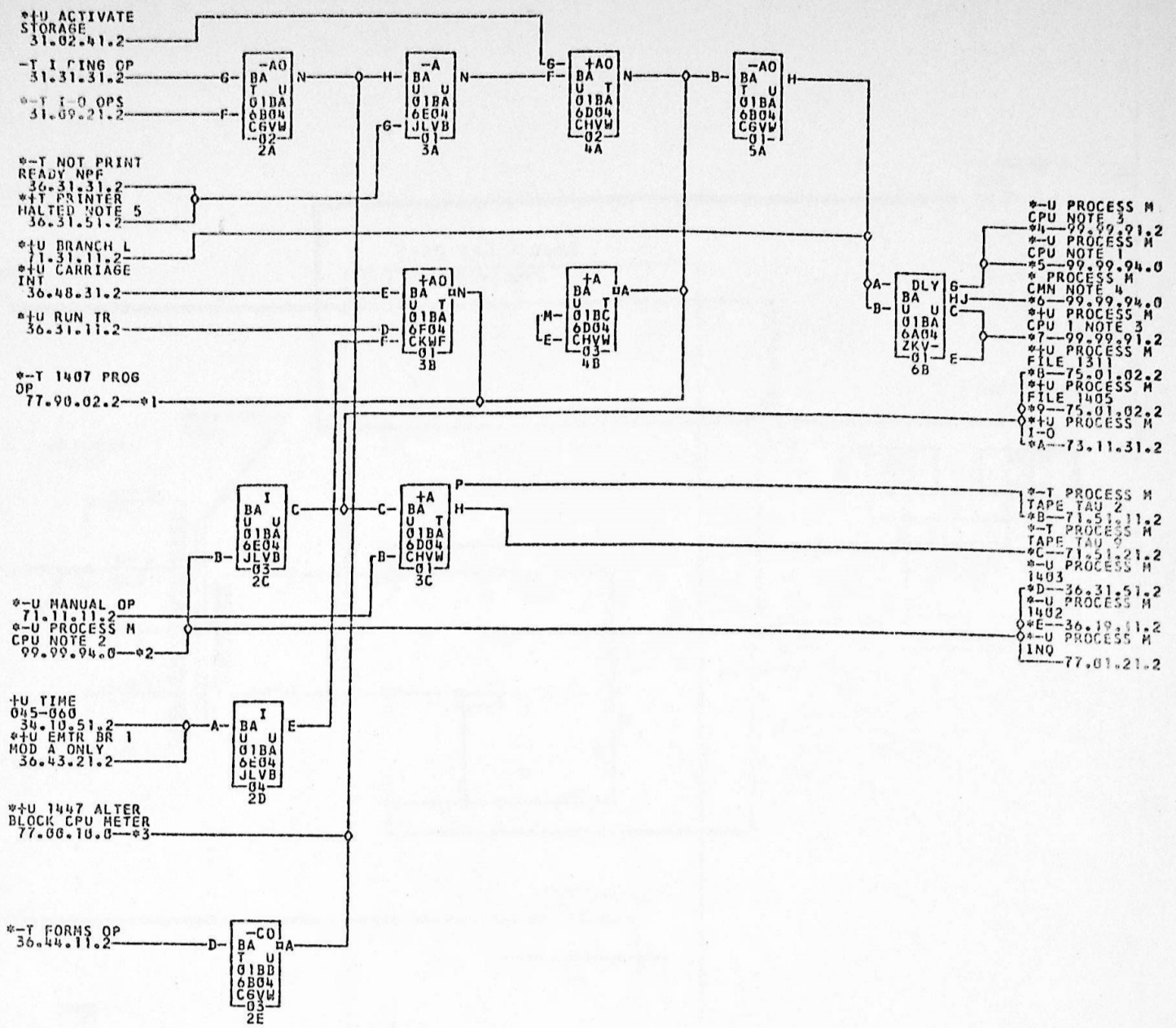
REFERENCE LOCATION ON 1402



- *1--01B7 E04A--01B4 C02L
- *2--01B7 E04B--01B4 C02P
- *3--01B4 C02N
- *4--01B7 E04D--01B4 A01K
- *5--01B7 B03G
- *6--01B7 A03D
- *7--01B7 E04E--01B4 A01J
- *8--01B7 E04F--01B4 A03C
- *9--01B7 C03B
- *A--01B7 E04H--01A3 A2GM
- *B--01B7 A03K
- *C--01B7 E04J--01A3 F24E
- *D--01B7 E04G--01A3 D23E
- *E--01B7 E04M--01A3 B09H
- *F--01B7 A03L
- *G--01B7 E04K--01B4 F03P
- *H--01B7 E04L--01A3 D23G
- *I--01B7 A03M
- *J--01B7 B03A
- *K--01B7 B03B
- *L--01B7 A03P
- *M--01B7 C03C
- *N--01B7 C03D
- *O--01B7 E04N--01A3 E17G
- *P--01B7 E04C--01B4 E07N
- *Q--01B7 E04I--01B4 A01I
- *R--01B7 D01M
- *S--01B7 E04P--01A3 E25H
- *T--01B7 A03M
- *U--01B7 C03A
- *V--01B7 B17C--01A4 F05G

Col Bin USED IN 80156. FOR SYSTEMS WITH COLUMN BINARY FEATURE ADD:
 D01M A15F, A15C B19E
 FOR SYSTEMS WITH CHARACTER INSERT FEATURE ADD:
 WIRING SHOWN DOTTED
 NOTE 1: NOT WIRED FOR OVERLAP FEATURE.
 NOTE 2: WIRING FOR OVERLAP FEATURE.

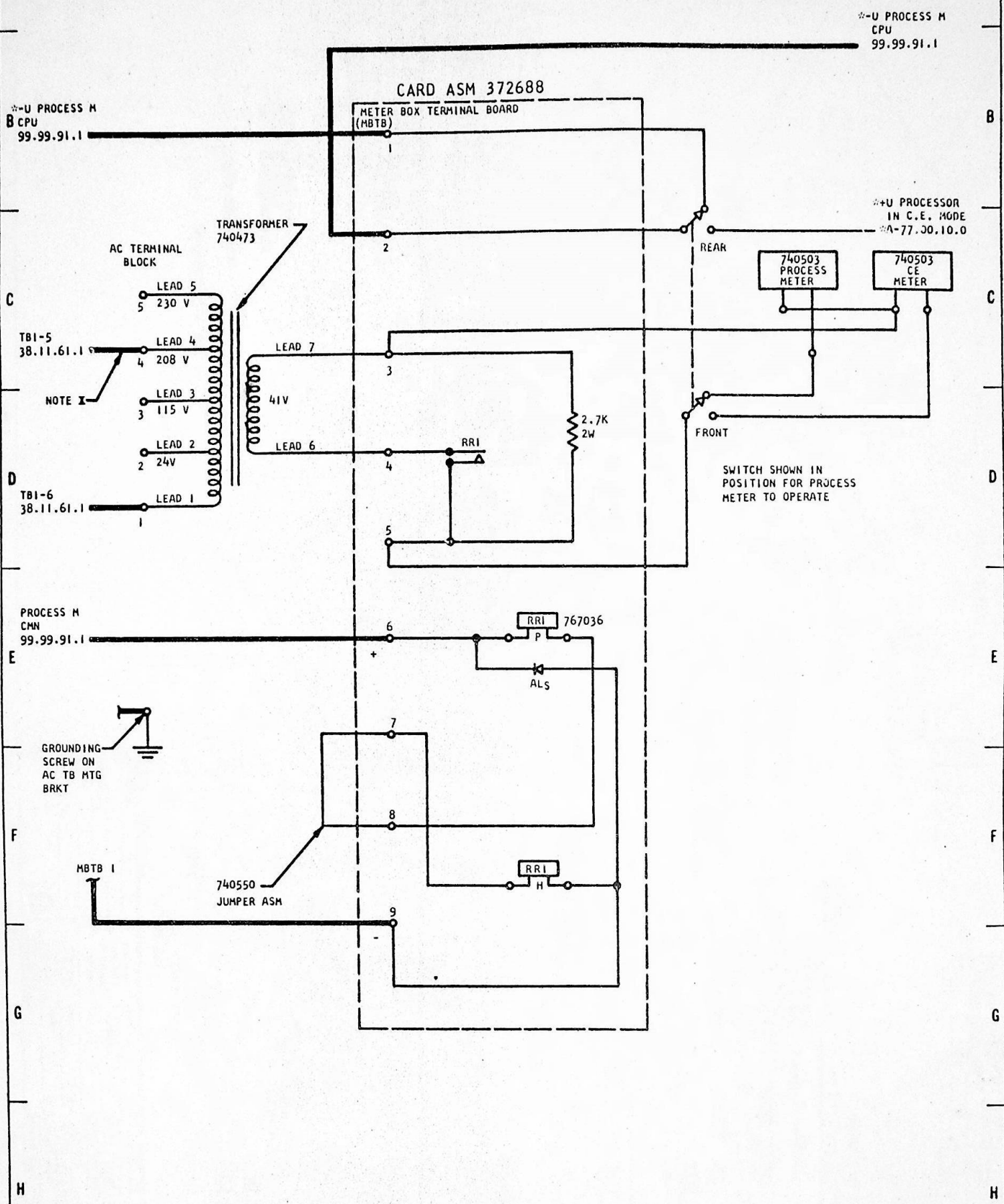
DATE	EC NO	DATE	EC NO	DATE	EC NO
9-25-61	199754	12-5-61	192407	12-29-61	192429
2-23-62	192537	7-11-62	192722	7-5-62	192719
11-17-62	192813	5-7-63	193025		



- *1---01B8A04W 01B6D04A *2---MBT00002 01B6E04D *3---01B6B04A 01B8A04R
- *4---01B6A04G 01A8A14H *5---01B6A046 01A8D04A ---MBT00901 *6---01B6A04J
- MBT00006 *7---01B6A04C ---01A8A09F *8---01B6E04C 02A8E19D *9---01B6E04C
- 02A8E18D *A---01B6D04C ---02A2C21F *B---01B6D04P 02A1A14A ---01B6D04H
- 02A1D09A *D---MBT00002 ---01A6F24C *E---MBT00002 ---01B4D01J

COMMENTS
 NOTE1 USED WHEN AUTO-RST IS NOT PRESENT
 NOTE2 FROM METER TERMINAL 2 MBT00002
 NOTE3 USED FOR AUTO-RST FEATURE, NOTE 4
 A04CE-A04J4H JUMPED FOR AUTO-RST, NOTES
 SIG PRESENT ONLY ON 20,000 SERIES PF
 MCHNE. SIG PRECD BY *IND DIR CBL EXPAN.

TAG	DATE	E.C.NO.	TAG	DATE	E.C.NO.	TAG	DATE	E.C.NO.
A	09-11-63	118320D	B	10-11-63	118575P	C	12-02-63	118575X



PROCESS M CPU 99.99.91.1

PROCESS M CPU 99.99.91.1

CARD ASM 372688

METER BOX TERMINAL BOARD (MBTB)

PROCESSOR IN C.E. MODE 99.99.91.1

TRANSFORMER 740473

AC TERMINAL BLOCK

TBI-5 38.11.61.1

NOTE X

TBI-6 38.11.61.1

PROCESS M CMN 99.99.91.1

GROUNDING SCREW ON AC TB MTG BRKT

MBTB 1

740550 JUMPER ASM

RRI 767036

ALS

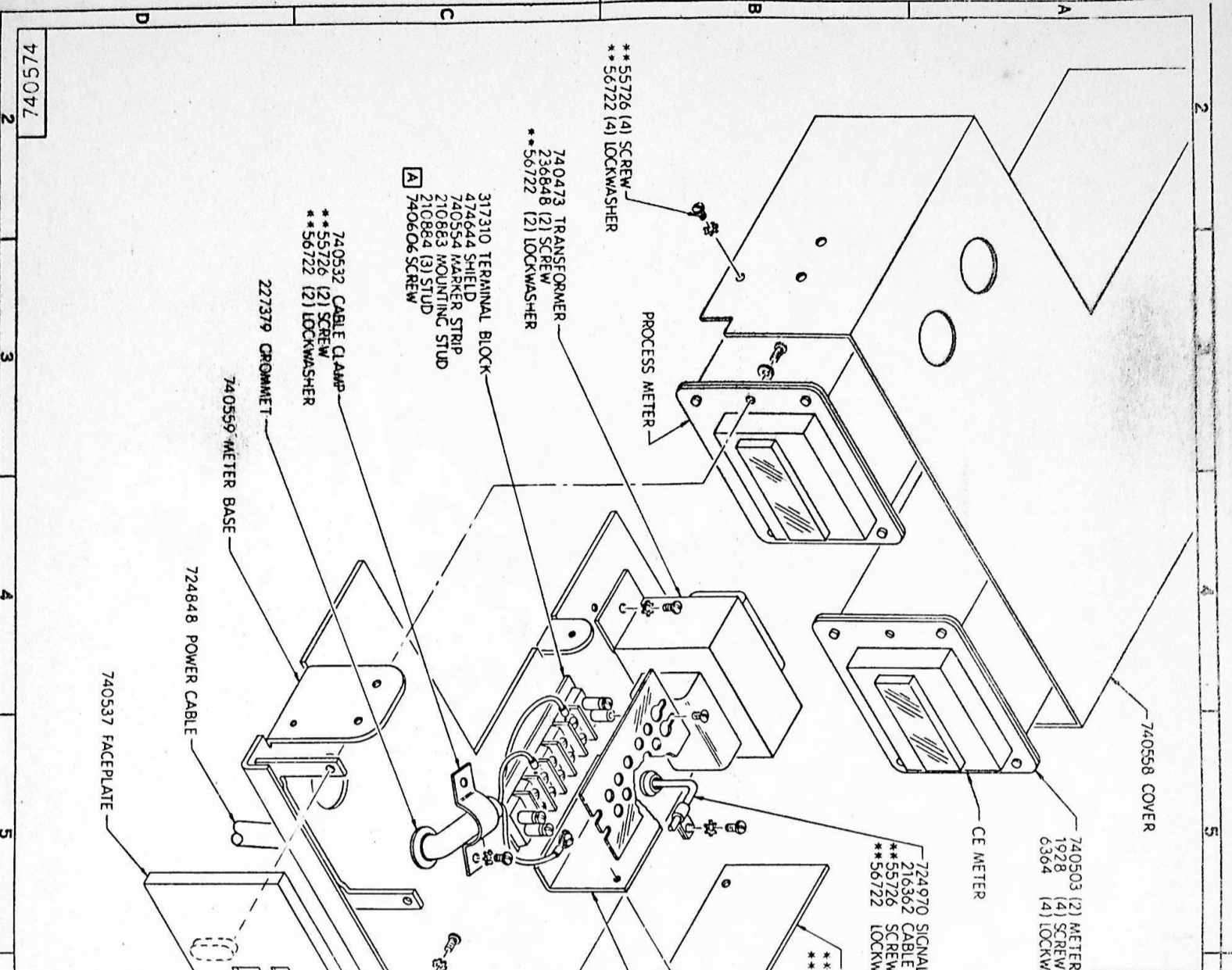
RRI H

SWITCH SHOWN IN POSITION FOR PROCESS METER TO OPERATE

NOTE X CONNECT LEAD AS REQUIRED FOR SPECIFIC MACHINE VOLTAGE

9A-01B8A0CH (1409)

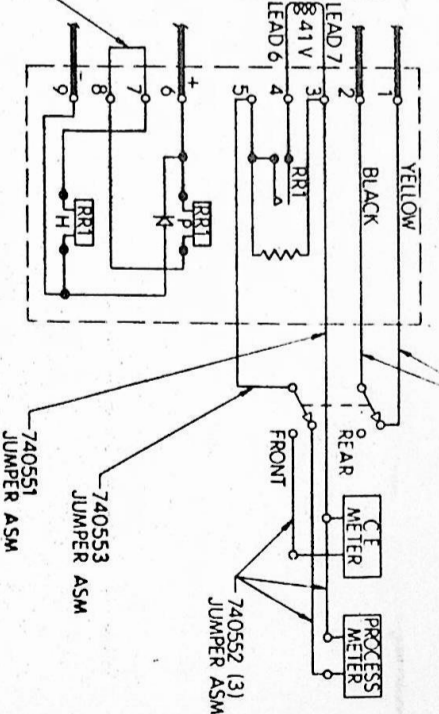
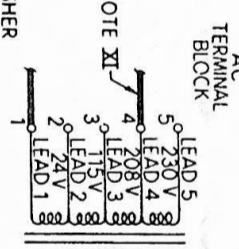
DATE	EC NO	DATE	EC NO	DATE	EC NO
9-25-63	118320-E				



740574

STANDARDS CODE	TECH SERVICES APPROV	DATE	CHANGE NO	TECH	DATE	CHANGE NO	TECH
RELEASED FOR ASM	DATE	DATE	DATE	DATE	DATE	DATE	DATE
FINISH	FINISH	FINISH	FINISH	FINISH	FINISH	FINISH	FINISH

740574	DATE	CHANGE NO	TECH	DATE	CHANGE NO	TECH
91363	18363A					
A30263	118878					
740574						



WIRING DIAGRAM
[SWITCH SHOWN IN POSITION
TO OPERATE PROCESS METER]

- NOTES
- X WIRE UNIT FOR 12 VOLT OPERATION BY JUMPERING 7 TO 8 AS SHOWN
 - XI CONNECT LEAD AS REQUIRED FOR SPECIFIC MACHINE VOLTAGE
 - XII HEAVY LINES INDICATE WIRES TO BE ATTACHED FROM THE MACHINE
 - XIII SOLDER USING SPECIFICATION 3091 INDICATED PART TO BE SHIPPED UNASSEMBLED IN ENVELOPE 740607
 - XIV MUST CONFORM TO ENGINEERING SPECIFICATION 871036
 - XV

** MULTIPLE USAGE

IBB MATERIAL	NO	TOLERANCE	2 PLACE DEC ±	3 PLACE DEC ±	ANGLES ±	MAX	MIN	DATE	APPROV
CASE DEPTH		UNLESS OTHERWISE NOTED							
HARDNESS		NOTED							
SURFACE TREATMENT		NOTED							

740490 NAMEPLATE NOTE XIV

IBB MATERIAL	NO	TOLERANCE	2 PLACE DEC ±	3 PLACE DEC ±	ANGLES ±	MAX	MIN	DATE	APPROV
CASE DEPTH		UNLESS OTHERWISE NOTED							
HARDNESS		NOTED							
SURFACE TREATMENT		NOTED							

740537 FACEPLATE

IBB MATERIAL	NO	TOLERANCE	2 PLACE DEC ±	3 PLACE DEC ±	ANGLES ±	MAX	MIN	DATE	APPROV
CASE DEPTH		UNLESS OTHERWISE NOTED							
HARDNESS		NOTED							
SURFACE TREATMENT		NOTED							

475047

2 3 4 5 6 7 8 9